

PROJECT :
TYPE :
ORDERING # :
COMMENTS :

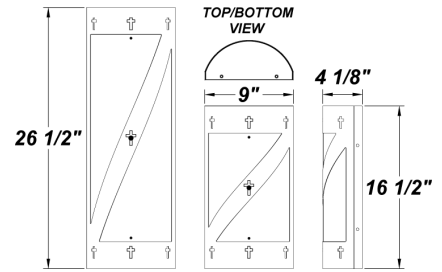
GUARDIAN W ZCR



Swedish Steel Finish Shown
COMPACT & LINEAR FLUORESCENT

FEATURES

- Extruded Aluminum Housing w/ Matte Silver Polyester Powder Coat Finish
 - Aluminum Fascia w/ Matte Silver Polyester Powder Coat Finish
 - Die Cast Aluminum End Caps w/ Matte Silver Polyester Powder Coat Finish
 - High Impact White Acrylic Diffuser (50% DR Acrylic)
 - Steel Reflector w/ Hi-Reflectance White Powder Coat Finish
 - Recessed Steel Screws
 - Fixture Mounts Directly to Surface w/ Two Wall Anchors (Not Included)
 - Integral EM Battery Available (2' Fixture Only)
 - Lamps Included w/ 16 1/2" Fixture
 - CSA Listed Wet Location
- See Page 2 For 38 1/2" & 50 1/2" Specifications



ORDERING INFORMATION

Example : (GRDW - ZCR - F24217E - 120E - SN)

Matte Silver is Standard Finish

PRODUCT	SOURCE/WATTAGE	VOLTAGE	DIFFUSER	FINISH	OPTIONS
Guardian W ZCR 16 1/2"	F213E - (2) 13W 4-Pin Biax F218Q - (2) 18W QE F226Q - (2) 26W QE	120E - Electronic 277E - Electronic	Not Applicable	SM - Matte Silver TB - Textured Black AC - Antique Copper AS - Antique Silver BT - Bronze Mist CP - Copper SN - Sand SW - Swedish Steel BZ - Textured Bronze TW - Textured White RAL Colors or Custom Match - Consult Factory	41K - 4100K Color Temp.** (Standard) 35K - 3500K Color Temp.** (Except F213E) 27K - 2700K Color Temp.** F - Fused DIM - Dimming Ballast (Electronic QE Only) EBR - Remote Mount Battery (Field Installed) (See Below) EBW - Integral Emergency Battery (2' Only) (See Below) TP - Tamper Resistant Screws ** Compact Fluorescent Lamps Only
Guardian W ZCR 26 1/2"	F24117E - (1) 17W T8 F24217E - (2) 17W T8 F24214E - (2) 14W T5 F24224E - HO* - (2) 24W T5 (HO* - High Output)	120E - Electronic 277E - Electronic			

REPLACEMENT PARTS

PART NO.

16" White Acrylic Diffuser	3024960
26" White Acrylic Diffuser	3025960

We reserve the right to revise the design or components of any product due to parts availability or change in UL standards, without assuming any obligation or liability to modify any products previously manufactured, and without notice.

NOTES

Emergency Battery Options

Initial light output in Emergency mode will last for a minimum of 90 minutes. 1 lamp wired unless ordered otherwise. The following are suitable for indoor and damp locations. Please refer to Bodine's specification sheet.

EBR (16 1/2" Fixture):

Bodine's B94CG (Electronic) - Temperature Rating (Ambient) 32° F - 122° F

EBW (26 1/2" Fixture):

Bodine's B50LP (T8 Electronic) - Temperature Rating (Ambient) 32° F - 122° F
Bodine's LP550 (T5 Electronic) - Temperature Rating (Ambient) 32° F - 122° F

ARRA 2009



BUY AMERICA ACT



GUARDIAN W ZCR

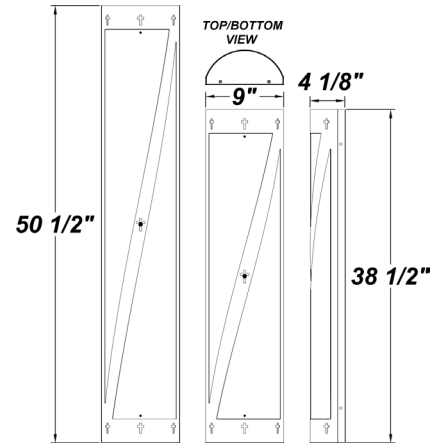


Swedish Steel Finish Shown
LINEAR FLUORESCENT

PROJECT :
TYPE :
ORDERING # :
COMMENTS :

FEATURES

- Extruded Aluminum Housing w/ Matte Silver Polyester Powder Coat Finish
 - Aluminum Fascia w/ Matte Silver Polyester Powder Coat Finish
 - Die Cast Aluminum End Caps w/ Matte Silver Polyester Powder Coat Finish
 - High Impact White Acrylic Diffuser (50% DR Acrylic)
 - Steel Reflector w/ Hi-Reflectance White Powder Coat Finish
 - Recessed Steel Screws
 - Fixture Mounts Directly to Surface w/ Two Wall Anchors (Not Included)
 - Integral EM Battery Available (3' & 4' Fixtures Only)
 - Lamps Not Included
 - CSA Listed Wet Location For Vertical or Horizontal Mounting
- See Page 1 For 16 1/2" & 26 1/2" Specifications



ORDERING INFORMATION

Example : (GRDW - ZCR - F36225E - 120E - TB)

Matte Silver is Standard Finish

PRODUCT	SOURCE/WATTAGE	VOLTAGE	DIFFUSER	FINISH	OPTIONS
GRDW - ZCR					
Guardian W ZCR 38 1/2"	F36125E - (1) 25W T8 F36225E - (2) 25W T8 F36221E - (2) 21W T5 F36239E - HO* - (2) 39W T5	120E - Electronic 277E - Electronic	Not Applicable	SM - Matte Silver TB - Textured Black AC - Antique Copper AS - Antique Silver BT - Bronze Mist CP - Copper SN - Sand SW - Swedish Steel BZ - Textured Bronze TW - Textured White	F - Fused EBW - Integral Emergency Battery (3' & 4' Only) (See Below) TP - Tamper Resistant Screws W2L - Wire 2 Lamps to Integral Emergency Battery
Guardian W ZCR 50 1/2"	F48132E - (1) 32W T8 F48232E - (2) 32W T8 F48228E - (2) 28W T5 F48254E - HO* - (2) 54W T5 (HO* - High Output)	120E - Electronic 277E - Electronic		RAL Colors or Custom Match - Consult Factory	

REPLACEMENT PARTS

PART NO.

38" White Acrylic Diffuser	3026060
50" White Acrylic Diffuser	3026160

We reserve the right to revise the design or components of any product due to parts availability or change in UL standards, without assuming any obligation or liability to modify any products previously manufactured, and without notice.

NOTES

Emergency Battery Options

Initial light output in Emergency mode will last for a minimum of 90 minutes. 1 lamp wired unless ordered otherwise. The following are suitable for indoor and damp locations. Please refer to Bodine's specification sheet.

EBW (38 1/2" & 50 1/2" Fixtures):

Bodine's B50LP (T8 Electronic) - Temperature Rating (Ambient) 32° F - 122° F
Bodine's LP550 (T5 Electronic) - Temperature Rating (Ambient) 32° F - 122° F

ARRA 2009



BUY AMERICA ACT

