

**GUARDIAN W LED**

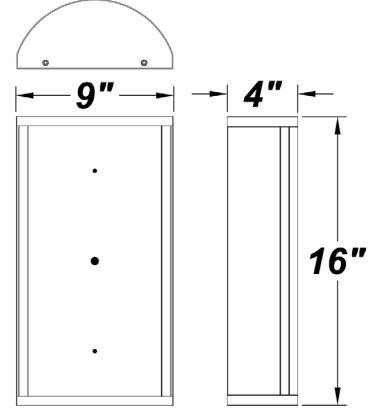


PROJECT :
TYPE :
ORDERING # :
COMMENTS :

**FEATURES**

- Extruded Aluminum Housing w/ Matte Silver Polyester Powder Coat Finish
- Aluminum Fascia w/ Matte Silver Polyester Powder Coat Finish
- Die Cast Aluminum End Caps w/ Matte Silver Polyester Powder Coat Finish
- High Impact White Acrylic Diffuser (50% DR Acrylic)
- Steel Reflector w/ Hi-Reflectance White Powder Coat Finish
- Recessed Steel Screws
- Thermal Compensation Technology Ensures Longer LED Lifetime, Which is Ideal For Fixtures Being Placed in Area With Fluctuating or Higher Ambient Temperatures
- Fixture Mounts Directly to Surface w/ Two Wall Anchors (Not Included)
- One 20W Driver Per Four 4.2W LED Strips
- 100V - 277V
- Surge Protector
- CSA Listed Wet Location
- ADA Compliant

**TOP/BOTTOM VIEW**



**ORDERING INFORMATION**

Example : (GRDW - L33.6 - 120V - TB - 51K)

Matte Silver is Standard Finish

PRODUCT	SOURCE/WATTAGE	VOLTAGE	DIFFUSER	FINISH	OPTIONS
GRDW					
<b>Guardian W 16"</b>	<b>L33.6 - (8) 4.2W LED Strips</b> (Available in 3000K & 5100K)  4.2W LED Strips - (LM80 Standard) **40,000 Hours(L70)  Please See " <b>Options</b> " Column For Specifications	<b>100V - 277V</b>  Please See " <b>Options</b> " Column For Driver Specifications	<b>Not Applicable</b>	<b>SM - Matte Silver</b> <b>TB - Textured Black</b> <b>AC - Antique Copper</b> <b>AS - Antique Silver</b> <b>BT - Bronze Mist</b> <b>CP - Copper</b> <b>SN - Sand</b> <b>SW - Swedish Steel</b> <b>BZ - Textured Bronze</b> <b>TW - Textured White</b>  <b>RAL Colors or Custom Match - Consult Factory</b>	<b>Eight 4.2W LED Strips</b> <b>30K - 3000K Color Temp.</b>  3 Nichia NS3x183 Series LEDs Per Strip - SW30Bin, Color Temp = 3000K Nominal - Constant Voltage at 12 Volts by Driver - 80 CRI typ. (75 CRI min) 2000 Lumens - 39W Input = Estimated 51 Lumens Per Watt  <b>Eight 4.2W LED Strips</b> <b>51K - 5100K Color Temp.</b>  3 Nichia NS3x183 Series LEDs Per Strip - SW51Bin, Color Temp = 5100K Nominal - Constant Voltage at 12 Volts by Driver - 80 CRI typ. (75 CRI min) 2160 Lumens - 39W Input = Estimated 55 Lumens Per Watt

**REPLACEMENT PARTS**

**PART NO.**

16" White Acrylic Diffuser

3024960

**NOTES**

\*\*Definition of 40,000 hours: Lifetime Rating is Based on Lamp Manufacturers' LM80 Test Results Which Utilized an Exponentially Decaying Model, a Standard Used by The Department of Energy, as Well as by Other Manufacturers.

We reserve the right to revise the design or components of any product due to parts availability or change in UL standards, without assuming any obligation or liability to modify any products previously manufactured, and without notice.

**ARRA 2009**



**BUY AMERICA ACT**



**US Compliant**