

GUARDIAN W

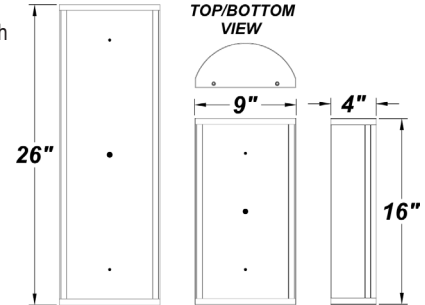


COMPACT & LINEAR FLUORESCENT

PROJECT :
TYPE :
ORDERING # :
COMMENTS :

FEATURES

- Extruded Aluminum Housing w/ Matte Silver Polyester Powder Coat Finish
- Die Cast Aluminum End Caps w/ Matte Silver Polyester Powder Coat Finish
- High Impact White Acrylic Diffuser (50% DR Acrylic)
- Steel Reflector w/ Hi-Reflectance White Powder Coat Finish
- Recessed Steel Screws
- Fixture Mounts Directly to Surface w/ Two Wall Anchors (Not Included)
- Integral EM Battery Available (2' Fixture Only)
- Lamps Included w/ 16" Fixture
- CSA Listed Wet Location
- ADA Compliant
- Wattages With a (ES) Are Available @ 120V With Energy Star Compliant Lamps and Ballasts



• See Page 2 For 38" & 50" Specifications

ORDERING INFORMATION

Example : (GRDW - F24217E - 120E - SN)

Matte Silver is Standard Finish

GRDW

PRODUCT	SOURCE/WATTAGE	VOLTAGE	DIFFUSER	FINISH	OPTIONS
Guardian W 16"	F213E - (2) 13W 4-Pin Biax F218Q - (2) 18W QE F226Q - (2) 26W QE (ES)	120E - Electronic 277E - Electronic	Not Applicable	SM - Matte Silver TB - Textured Black AC - Antique Copper AS - Antique Silver BT - Bronze Mist CP - Copper SN - Sand SW - Swedish Steel BZ - Textured Bronze TW - Textured White	41K - 4100K Color Temp.** (Standard) 35K - 3500K Color Temp.** (Except F213E) 27K - 2700K Color Temp.** F - Fused DIM - Dimming Ballast (Electronic QE Only) EBR - Remote Mount Battery (Field Installed) (See Below) EBW - Integral Emergency Battery (2' Only) (See Below) MS - Motion Sensor - Wattstopper FS-505 (See Guardian W Sensor Cutsheet Pg. 1 for Specs) TP - Tamper Resistant Screws ES - Energy Star Listed Fixture w/ Compliant Ballasts & Lamps
Guardian W 26"	F24117E - (1) 17W T8 F24217E - (2) 17W T8 F24214E - (2) 14W T5 F24224E - HO* - (2) 24W T5 (HO* - High Output)	120E - Electronic 277E - Electronic		RAL Colors or Custom Match - Consult Factory	** Compact Fluorescent Lamps Only

REPLACEMENT PARTS

PART NO.

16" White Acrylic Diffuser
26" White Acrylic Diffuser

3024960
3025960

NOTES

Emergency Battery Options

Initial light output in Emergency mode will last for a minimum of 90 minutes. 1 lamp wired unless ordered otherwise. The following are suitable for indoor and damp locations. Please refer to Bodine's specification sheet.

EBR (16 1/2" Fixture):

Bodine's B94CG (Electronic) - Temperature Rating (Ambient) 32° F - 122° F

EBW (26 1/2" Fixture):

Bodine's B50LP (T8 Electronic) - Temperature Rating (Ambient) 32° F - 122° F
Bodine's LP550 (T5 Electronic) - Temperature Rating (Ambient) 32° F - 122° F

We reserve the right to revise the design or components of any product due to parts availability or change in UL standards, without assuming any obligation or liability to modify any products previously manufactured, and without notice.

ARRA 2009



BUY AMERICA ACT



US Compliant

PROJECT :
TYPE :
ORDERING # :
COMMENTS :

GUARDIAN W

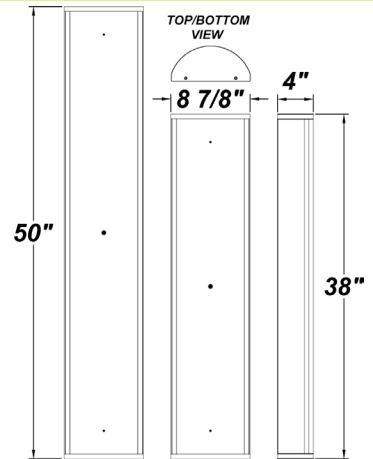


LINEAR FLUORESCENT

FEATURES

- Extruded Aluminum Housing w/ Matte Silver Polyester Powder Coat Finish
- Die Cast Aluminum End Caps w/ Matte Silver Polyester Powder Coat Finish
- High Impact White Acrylic Diffuser (50% DR Acrylic)
- Steel Reflector w/ Hi-Reflectance White Powder Coat Finish
- Recessed Steel Screws
- Fixture Mounts Directly to Surface w/ Two Wall Anchors (Not Included)
- Integral EM Battery Available (3' & 4' Fixtures Only)
- Lamps Not Included
- CSA Listed Wet Location For Vertical or Horizontal Mounting
- ADA Compliant

• See Page 1 For 16" & 26" Specifications



ORDERING INFORMATION

Example : (GRDW - F36225E - 120E - TB)

Matte Silver is Standard Finish

PRODUCT	SOURCE/WATTAGE	VOLTAGE	DIFFUSER	FINISH	OPTIONS
Guardian W 38"	F36125E - (1) 25W T8 F36225E - (2) 25W T8 F36221E - (2) 21W T5 F36239E - HO* - (2) 39W T5	120E - Electronic 277E - Electronic	Not Applicable	SM - Matte Silver TB - Textured Black AC - Antique Copper AS - Antique Silver BT - Bronze Mist CP - Copper SN - Sand SW - Swedish Steel BZ - Textured Bronze TW - Textured White	F - Fused EBW - Integral Emergency Battery (3' & 4' Only) (See Below) MS - Motion Sensor - Wattstopper FS-505 (See Guardian W Sensor Cutsheet Pg. 2 for Specs) TP - Tamper Resistant Screws W2L - Wire 2 Lamps to Integral Emergency Battery
Guardian W 50"	F48132E - (1) 32W T8 F48232E - (2) 32W T8 F48228E - (2) 28W T5 F48254E - HO* - (2) 54W T5 (HO* - High Output)	120E - Electronic 277E - Electronic		RAL Colors or Custom Match - Consult Factory	

REPLACEMENT PARTS

PART NO.

38" White Acrylic Diffuser	3026060
50" White Acrylic Diffuser	3026160

NOTES

Emergency Battery Options

Initial light output in Emergency mode will last for a minimum of 90 minutes. 1 lamp wired unless ordered otherwise. The following are suitable for indoor and damp locations. Please refer to Bodine's specification sheet.

EBW (38 1/2" & 50 1/2" Fixtures):

Bodine's B50LP (T8 Electronic) - Temperature Rating (Ambient) 32° F - 122° F
Bodine's LP550 (T5 Electronic) - Temperature Rating (Ambient) 32° F - 122° F

We reserve the right to revise the design or components of any product due to parts availability or change in UL standards, without assuming any obligation or liability to modify any products previously manufactured, and without notice.

ARRA 2009



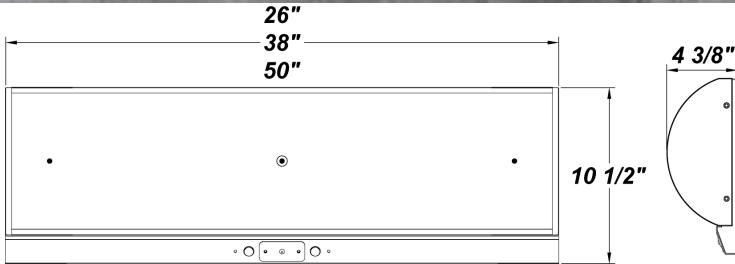
BUY AMERICA ACT



US Compliant

PROJECT :
TYPE :
ORDERING # :
COMMENTS :

GUARDIAN W SENSOR



FEATURES

- Extruded Aluminum Housing w/ Matte Silver Polyester Powder Coat Finish
- Die Cast Aluminum End Caps w/ Matte Silver Polyester Powder Coat Finish
- High Impact White Acrylic Diffuser (50% DR Acrylic)
- Steel Reflector w/ Hi-Reflectance White Powder Coat Finish
- Recessed Steel Screws
- Fixture Mounts Directly to Surface w/ Two Wall Anchors (Not Included)
- Integral EM Battery Available
- Lamps Not Included
- CSA Listed Damp Location

MOTION SENSOR SPECIFICATIONS

- Optional Bracket Required for Wattstopper FS-505 Motion Sensor
 - Hi-Frequency Sensitive Ultrasonic
 - LED Status Indicator Light
 - Lamp Conditioning Circuit
 - Fail-Safe Sensor Switches Light Level to 100% if Sensor is Physically Damaged
 - 5-Minute Walk-Test Feature, Easy-Set
 - Time / Sensitivity Controls
- Please Note:** TLI is Not Responsible For Misapplication of Fixture With Motion Sensors. Consult Pg. 3 For Specific Application & Coverage Patterns. The FS-505 Motion Sensor is For Wall Mount Usage Only.

ORDERING INFORMATION

Example : (GRDW - F36225E - 120E - SDIM50 - TW - MS)

Matte Silver is Standard Finish

PRODUCT	SOURCE/WATTAGE	VOLTAGE	DIMMING CONFIG	FINISH	OPTIONS
Guardian W 26"	F24117E - (1) 17W T8 F24217E - (2) 17W T8 ** F24214E - (2) 14W T5 F24224E - HO* - (2) 24W T5	120E - Electronic 277E - Electronic	SDIM10** - Lamps Set at 10% Output w/ No Occupancy & 100% Outout w/ Motion Sensor Occupancy Read (See Pg. 3)	SM - Matte Silver TB - Textured Black AC - Antique Copper AS - Antique Silver BT - Bronze Mist CP - Copper SN - Sand SW - Swedish Steel BZ - Textured Bronze TW - Textured White	F - Fused EB - Integral Emergency Battery (For Use With MS2B Only) (Consult Factory For Application Specs / Battery Option) (See Below) MS - Motion Sensor Wattstopper FS-505 (See Pg.2) (Requires Back Plate, Which Will Add 5/16" to Fixture Length & 1 11/16" to Fixture Depth) TP - Tamper Resistant Screws W2L - Wire 2 Lamps to Integral Emergency Battery
Guardian W 38"	F36125E - (1) 25W T8 F36225E - (2) 25W T8 F36221E - (2) 21W T5 F36239E - HO* - (2) 39W T5	120E - Electronic 277E - Electronic	SDIM40** - Lamps Set at 40% Output w/ No Occupancy & 100% Outout w/ Motion Sensor Occupancy Read (See Pg. 3)	RAL Colors or Custom Match - Consult Factory	
Guardian W 50"	F48132E - (1) 32W T8 F48232E - (2) 32W T8 F48228E - (2) 28W T5 F48254E - HO* - (2) 54W T5 *(HO - High Output) ** Wattages Available For "SDIM" Option	120E - Electronic 277E - Electronic	SDIM50** - Lamps Set at 50% Output w/ No Occupancy & 100% Outout w/ Motion Sensor Occupancy Read (See Pg. 3) MS2B - 1 Lamp at 100% Constant Output, and 1 Lamp Connected to Motion Sensor (Requires 2 Ballasts) Please Refer to Page 2 for Step-Dim & MS2B Specifications, Options, and Restrictions		

ARRA 2009



Emergency Battery Options

Initial light output in Emergency mode will last for a minimum of 90 minutes. 1 lamp wired unless ordered otherwise. The following are suitable for indoor and damp locations. Please refer to Bodine's specification sheet.

EB:

- Bodine's B50LP (T8 Electronic) - Temperature Rating (Ambient) 32° F - 122° F
- Bodine's LP550 (T5 Electronic) - Temperature Rating (Ambient) 32° F - 122° F

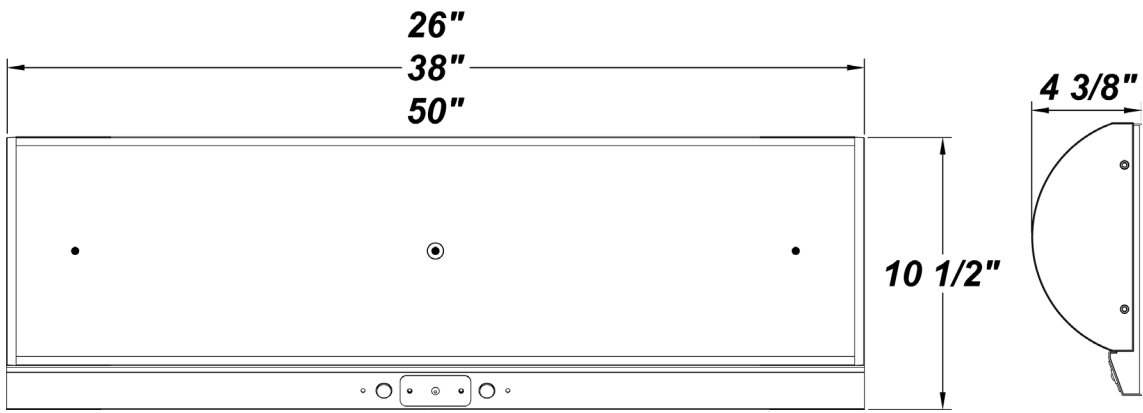
PROJECT :
TYPE :
ORDERING # :
COMMENTS :

GUARDIAN W SENSOR



DIMMING APPLICATIONS & RESTRICTIONS

- Step-Dimming is available at 10% and 40% for 25W and 32W T8 linear lamps
 - Emergency Battery is not available for use with the 10% and 40% Step-Dim option
 - Ballast used is the **Robertson brand #PSL232T8MV3D**
- Step-Dimming is available at 50% for 17W, 25W, and 32W T8 Linear Lamps
 - Emergency Battery is available for use with the 50% Step-Dim option
 - Ballast used is the **Universal brand #B232PUS50-A**
- Step-Dimming is available at 50% for 28W T5 Linear Lamps
 - Ballast used is the **Philips Advance brand #IOP-2S28-95-SC-SD**
 - Emergency Battery is available for use with the 50% Step-Dim option
- All 3 ballasts meet California's Title 24 requirement by reducing power by 50% or more



MOTION SENSOR WITH 2 BALLASTS "MS2B" APPLICATIONS & RESTRICTIONS

- The "MS2B" option is intended to have one lamp providing 100% constant light output, while the other lamp is connected to the Motion Sensor. Two ballasts are required with this option
- Emergency Battery is available in conjunction with the "MS2B" option for 38" and 50" fixtures
- Emergency battery is not available for 26" fixtures in conjunction with the "MS2B" option due to fixture space restrictions

REPLACEMENT PARTS **PART NO.**

26" White Acrylic Diffuser	3025960
38" White Acrylic Diffuser	3026060
50" White Acrylic Diffuser	3026160

NOTES

Emergency Battery Options
Initial light output in Emergency mode will last for a minimum of 90 minutes. 1 lamp wired unless ordered otherwise. The following are suitable for indoor and damp locations. Please refer to Bodine's specification sheet
EB:
Bodine's B50 (Electronic) - Temperature Rating (Ambient) 32° F - 131° F
Bodine's LP550 (T5 Electronic) - Temperature Rating (Ambient) 32° F - 122° F



We reserve the right to revise the design or components of any product due to parts availability or change in UL standards, without assuming any obligation or liability to modify any products previously manufactured, and without notice.