



ARCHITECTURAL OUTDOOR

GUARDIAN W STR



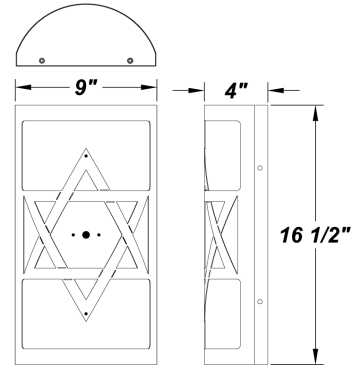
COMPACT FLUORESCENT

PROJECT :
TYPE :
ORDERING # :
COMMENTS :

FEATURES

- Extruded Aluminum Housing w/ Matte Silver Polyester Powder Coat Finish
- Aluminum Fascia w/ Matte Silver Polyester Powder Coat Finish
- Die Cast Aluminum End Caps w/ Matte Silver Polyester Powder Coat Finish
- High Impact White Acrylic Diffuser (50% DR Acrylic)
- Steel Reflector w/ Hi-Reflectance White Powder Coat Finish
- Recessed Steel Screws
- Fixture Mounts Directly to Surface w/ Two Wall Anchors (Not Included)
- Lamps Included
- ETL Listed Wet Location For Vertical or Horizontal Mounting

TOP/BOTTOM VIEW



ORDERING INFORMATION

Example : (GRDW - STR - F218Q - 120E - SM - 41K)

Matte Silver is Standard Finish

PRODUCT	SOURCE/WATTAGE	VOLTAGE	DIFFUSER	FINISH	OPTIONS
Guardian W STR	F213 - (2) 13W 2-Pin Biax Magnetic 120V Only F213E - (2) 13W 4-Pin Biax F218Q - (2) 18W QE F226Q - (2) 26W QE	120N - 120V NPF 120E - Electronic 277E - Electronic	Not Applicable	SM - Matte Silver TB - Textured Black AC - Antique Copper AS - Antique Silver BT - Bronze Mist CP - Copper SN - Sand SW - Swedish Steel BZ - Textured Bronze TW - Textured White RAL Colors or Custom Match - Consult Factory	41K - 4100K Color Temp. (Standard) 35K - 3500K Color Temp. (Except F213E) 27K - 2700K Color Temp. F - Fused DIM - Dimming Ballast (Electronic QE Only) EBR - Remote Mount Battery (Field Installed) (See Below) TP - Tamper Resistant Screws W2L - Wire 2 Lamps to Integral Emergency Battery

REPLACEMENT PARTS

PART NO.

16" White Acrylic Diffuser

3024960

NOTES

Emergency Battery Options

Initial light output in Emergency mode will last for a minimum of 90 minutes. 1 lamp wired unless ordered otherwise. The following are suitable for indoor and damp locations. Please refer to Bodine's specification sheet.

EBR (16 1/2" Fixture):

- Bodine's B413 (Magnetic) - Temperature Rating (Ambient) 32° F - 122° F
- Bodine's BDL94C (Electronic) - Temperature Rating (Ambient) 32° F - 122° F

We reserve the right to revise the design or components of any product due to parts availability or change in UL standards, without assuming any obligation or liability to modify any products previously manufactured, and without notice.

