

PROJECT :
TYPE :
ORDERING # :
COMMENTS :

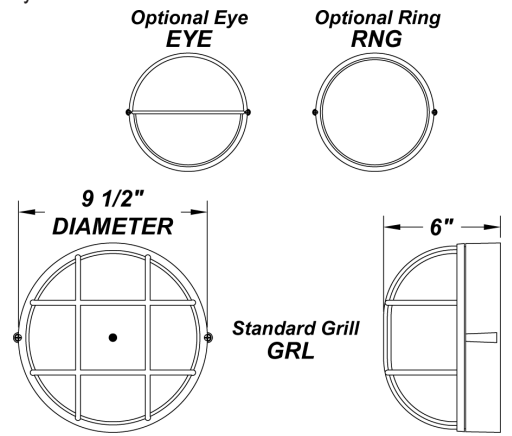
BIRDIE CA



COMPACT FLUORESCENT

FEATURES

- Die-Cast Aluminum Housing w/ Matte White Polyester Powder Coat Finish
- Die-Cast Aluminum Grill (Standard) w/ Matte White Polyester Powder Coat Finish
- Frosted Ribbed Borosilicate Glass Lens
- Front & Back Gasketing
- Stainless Steel Housing Screws
- Mounts Directly to 4" Junction Box (By Others)
- Mounting Hardware Included
- Lamps Included (Except For Incandescent)
- Integral EM Battery Available (Damp Location Only)
- ETL Listed Wet Location For Wall or Ceiling Mount



ORDERING INFORMATION

Example : (BEC213Q - 120E - GRL - SN - 41K) Matte White is Standard Finish

PRODUCT	SOURCE/WATTAGE	VOLTAGE	FASCIA	FINISH	OPTIONS
Birdie CA	BEC113Q - (1) 13W QE BEC213Q - (2) 13W QE BEC118Q - (1) 18W QE BEC218Q - (2) 18W QE BEC126X - (1) 26W TBX BEC226X - (2) 26W TBX BEC132X - (1) 32W TBX BEC142X - (1) 42W TBX	120E - Electronic 120V 277E - Electronic 277V	GRL - Birdie Grill (Standard) EYE - Birdie Eye RNG - Birdie Ring	WH - Matte White (Standard) SM - Matte Silver TB - Textured Black AC - Antique Copper AS - Antique Silver BT - Bronze Mist CP - Copper SN - Sand SW - Swedish Steel BZ - Textured Bronze TW - Textured White RAL Colors or Custom Match - Consult Factory	41K - 4100K Color Temp. 35K - 3500K Color Temp. 27K - 2700K Color Temp. (Standard) F - Fused PCL120 - Photocell 120V PCL277 - Photocell 277V TP - Tamper Resistant Screws DIM - Dimming Ballast * (QE Electronic Only) QRS - Quartz Restrike (DC/Bay - Lamp Included) QRZ - Quartz Socket Only EBW - Integral Emergency Battery** (Electronic Only) W2L - Wire 2 Lamps to Integral Emergency Battery (2x18W Max)

REPLACEMENT PARTS PART NO.

Frosted Glass Lens	3700862
White Polycarbonate Lens	3403960
Birdie CA GRL Fascia	5510599
Birdie CA EYE Fascia	5510199
Birdie CA RNG Fascia	5509999
Birdie CA EVG Fascia	5503599
(Please Specify Color of Fascia When Ordering)	

ARRA 2009



NOTES

***QE Electronic Only**
****Emergency Battery Options**
 Initial light output in Emergency mode will last for a minimum of 90 minutes. 1 lamp wired unless ordered otherwise. The following are suitable for indoor and damp locations. Please refer to Bodine's specification sheet
EBW:
 Iota's I-42-L (Electronic) - Temperature Rating (Ambient) 32° F - 131° F

We reserve the right to revise the design or components of any product due to parts availability or change in UL standards, without assuming any obligation or liability to modify any products previously manufactured, and without notice.