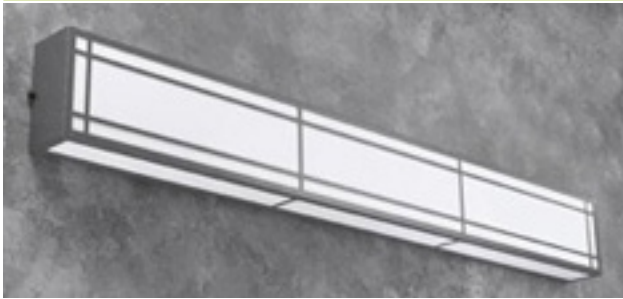


**BARTON CREEK**

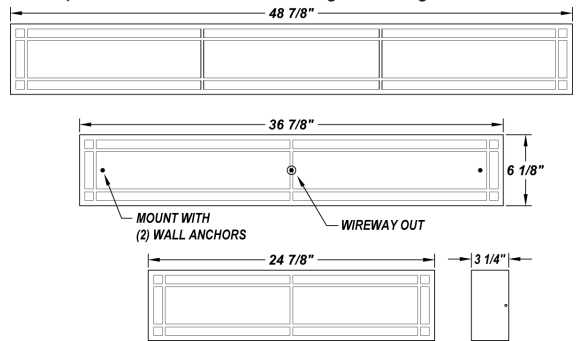


LINEAR FLUORESCENT

PROJECT :
TYPE :
ORDERING # :
COMMENTS :

**FEATURES**

- Steel Housing w/ Swedish Steel Powder Coat Finish
- Steel Mounting Pan w/ Hi-Reflectance White Powder Coat Finish
- Luminous White Acrylic Panels
- Steel Reflector w/ Hi-Reflectance White Powder Coat Finish
- Mounts Directly to Surface w/ Two Wall Anchors (Not Included)
- Lamps Not Included
- ADA Compliant
- ETL Listed Damp Location For Wall or Ceiling Mounting



**ORDERING INFORMATION**

Example : (BT24217E - 120E)

Swedish Steel is Standard Finish

PRODUCT	SOURCE/WATTAGE	VOLTAGE	DIFFUSER	FINISH	OPTIONS
BT24 (24" Fixture)	BT24217E - (2) 17W T8	120E - 120V Electronic 277E - 277V Electronic	Not Applicable	SM - Matte Silver TB - Textured Black AC - Antique Copper AS - Antique Silver BT - Bronze Mist CP - Copper KC - Kenworth Chrome SN - Sand SW - Swedish Steel BZ - Textured Bronze TW - Textured White  RAL Colors or Custom Match - Consult Factory	F - Fused
BT36 (36" Fixture)	BT36225E - (2) 25W T8				
BT48 (48" Fixture)	BT48232E - (2) 32W T8				

**REPLACEMENT PARTS**

**PART NO.**

24" White Acrylic Front Lens Panel	3028460
24" White Acrylic Side Lens Panel	3028360
36" White Acrylic Front Lens Panel	3028260
36" White Acrylic Side Lens Panel	3028160
48" White Acrylic Front Lens Panel	3028060
48" White Acrylic Side Lens Panel	3027960

**NOTES**

We reserve the right to revise the design or components of any product due to parts availability or change in UL standards, without assuming any obligation or liability to modify any products previously manufactured, and without notice.

ARRA 2009



BUY AMERICA ACT Compliant