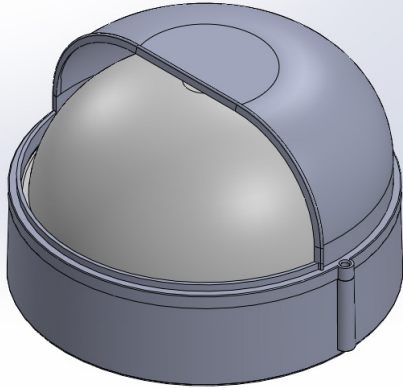


PROJECT :
TYPE :
ORDERING # :
COMMENTS :

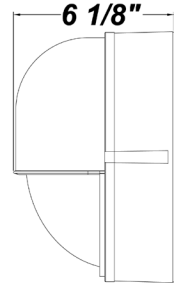
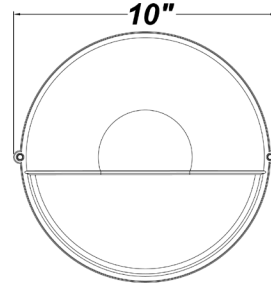
BIRDIE CAST ROUND LED



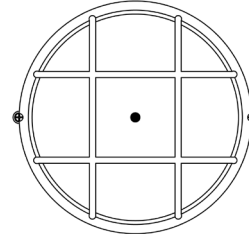
Optional Eye EYE

FEATURES

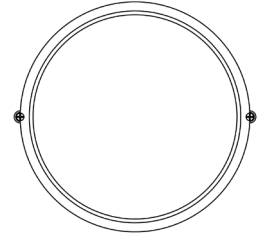
- Die-Cast Aluminum Housing w/ Matte White Polyester Powder Coat Finish
- Die-Cast Aluminum Grill (Standard) w/ Matte White Polyester Powder Coat Finish
- Frosted Ribbed Borosilicate Glass Lens
- Front & Back Gasketing
- Stainless Steel Housing Screws
- Mounts Directly to 4" Junction Box (By Others)
- Mounting Hardware Included
- Integral Emergency Driver Available (Damp Location Only) (Wall Mount Only)
- CSA Listed Wet Location



Standard Grill GRL



Optional Ring RNG



SOURCE/WATTAGE	30K SPECIFICATIONS
L13.0 - (13)W LED Module - Constant Current 350 Milliamps Driver - 13W Output	L13.0 - One 13W LED Module 30K - 3000K Color Temp. - 37.2 fV, Color Temp = 3000K Nominal - 1614 LED Source Lumens - 80.7 Source Lumens Per Watt

ORDERING INFORMATION

Example : (BEC - L13.0 - 120-277V - GRL - LE350 - FGL - TB - 40K)

Matte White is Standard Finish

PRODUCT	SOURCE/WATTAGE	VOLTAGE	FASCIA	DRIVERS	DIFFUSER	FINISH	OPTIONS
Birdie CA Round	L13.0 - (1) 13W LED Module	120 - 277V (50 / 60Hz)	GRL - Grill (Standard) RNG - Ring EYE - Eye	LE350 - 350mA Phase Dimming Driver (Dimmable @ 120V Only) (Dimmable to 10%) 350mA - 350mA Constant Current Driver	FGL - Frosted Glass Lens	WH - Matte White (Standard) SM - Matte Silver TB - Textured Black AC - Antique Copper AS - Antique Silver BT - Bronze Mist CP - Copper SN - Sand SW - Swedish Steel BZ - Textured Bronze TW - Textured White RAL Colors or Custom Match - Consult Factory	30K - 3000K Color Temp. 35K - 3500K Color Temp. 40K - 4000K Color Temp. TP - Tamper Resistant Screws PCL120 - Photocell 120V PCL277 - Photocell 277V SP - Surge Protector EB - LED Emergency Driver (Wall Mount Only)

REPLACEMENT PARTS

PART NO.

Frosted Glass Lens	3700862
Birdie CA GRL Fascia	5510599
Birdie CA EYE Fascia	5510199
Birdie CA RNG Fascia	5509999
(Please Specify Color of Fascia When Ordering)	

NOTES

We reserve the right to revise the design or components of any product due to parts availability or change in UL standards, without assuming any obligation or liability to modify any products previously manufactured, and without notice.

