

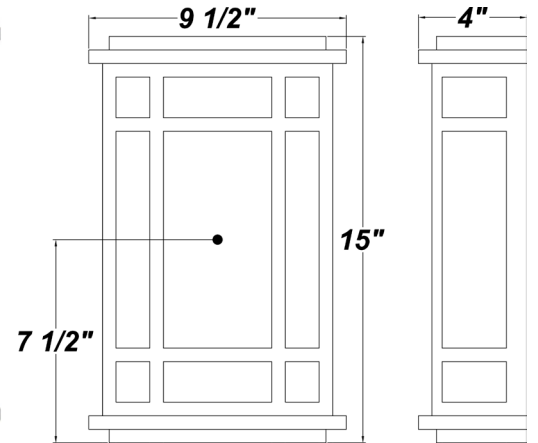
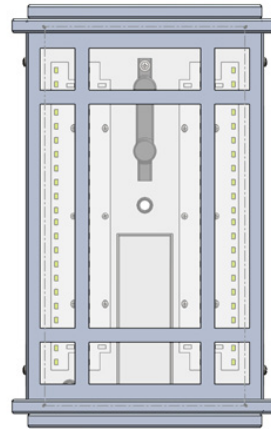
FALDO LED



PROJECT :
TYPE :
ORDERING # :
COMMENTS :

FEATURES

- Steel Housing w/ Textured Black Polyester Powder Coat Finish
- Aluminum Heat-Sink Plate
- Solid Top & Bottom End Plates
- Luminous White Acrylic Panels
- Thermal Compensation Technology Ensures Longer LED Lifetime, Which is Ideal For Fixtures Being Placed in Area With Fluctuating or Higher Ambient Temperatures
- 100V - 277V
- Surge Protector
- CSA Listed Wet Location
- Mounts Directly to 4" Junction Box (By Others)
- Mounting Hardware Included
- ADA Compliant



ORDERING INFORMATION

Example : (FL - L37.0 - 120-277V - WAL - ZE1100 - TB - 50K)

Textured Black is Standard Finish

FL						
PRODUCT	SOURCE/WATTAGE	VOLTAGE	DIFFUSER	DRIVER OPTIONS	FINISH	OPTIONS
Faldo	L18.0 - 18.0W LED Strips L37.0 - 37.0W LED Strips	120 - 277V	WAL - White Acrylic	TE500 - 500mA ELV Constant Current Dimming Electronic Driver (For L18.0) ZE1100 - 1100mA Low Voltage Dimming Electronic Driver (For L37.0) (Dimmable 120-277V) (Dimmable 0 - 10V)	SM - Matte Silver TB - Textured Black AC - Antique Copper AS - Antique Silver BT - Bronze Mist SN - Sand SW - Swedish Steel BZ - Textured Bronze TW - Textured White MB - Metallic Black RAL Colors or Custom Match - Consult Factory	50K - 5000K Color Temp. 40K - 4000K Color Temp. 35K - 3500K Color Temp. 30K - 3000K Color Temp. 27K - 2700K Color Temp. TP - Tamper-Proof Screws F - Fused

REPLACEMENT PARTS PART NO.

White Acrylic Lens Panel Set 9800660

NOTES

We reserve the right to revise the design or components of any product due to parts availability or change in UL standards, without assuming any obligation or liability to modify any products previously manufactured, and without notice.

SOURCE/WATTAGE 30K SPECIFICATIONS

<p>L18.0 - 18.0W LED Strips - Voltage Regulated at 12 Volts by Driver - 18W Input</p>	<p>L18.0 - 18.0W LED Strips 30K - 3000K Color Temp. - SW30Bin, Color Temp = 3000K Nominal - 80 CRI typ. (75 CRI min) - 2484 LED Source Lumens - 138 LED Source Lumens Per Watt</p>
<p>L37.0 - 37.0W LED Strips - Voltage Regulated at 12 Volts by Driver - 37W Input</p>	<p>L37.0 - 37.0W LED Strips 30K - 3000K Color Temp. - SW30Bin, Color Temp = 3000K Nominal - 80 CRI typ. (75 CRI min) - 3835 LED Source Lumens - 103.6 LED Source Lumens Per Watt</p>

