

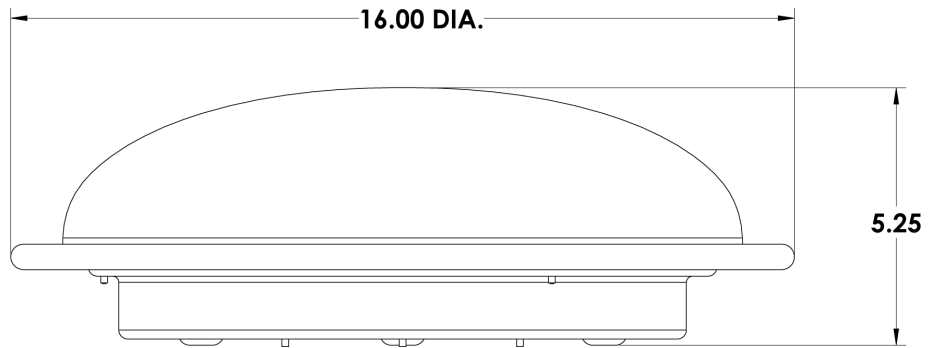
PROJECT :
TYPE :
ORDERING # :
COMMENTS :

**MYRTLE BEACH II LED**



**FEATURES**

- Luminous White Acrylic Diffuser
- Aluminum Mounting Pan & Stems w/ Matte Silver Powder Coat Finish
- Mounts Directly to 4" Junction Box (By Others)
- Mounting Hardware Included
- CSA Listed Damp Location



**ORDERING INFORMATION**

Example : (MHT - L16.3 - 120-277V - ZE560 - SW - 30K) Matte Silver is Standard Finish

PRODUCT	SOURCE/WATTAGE	VOLTAGE	DRIVER OPTIONS	DIFFUSER	FINISH	OPTIONS
MHT						
Myrtle Beach II	L13.0 - (48) LED Array L16.3 - (60) LED Array L21.0 - (60) LED Array	120 - 277V  (50 / 60Hz)	ZE560 - 560mA Line Voltage 4-Wire Dimming Driver <b>(For L13.0 &amp; L16.3)</b> <b>(Dimmable 0 - 10V)</b>  ZE700 - Line Voltage 4-Wire Dimming Driver <b>(For L21.0 Only)</b> <b>(Dimmable 0 - 10V)</b>	WAL - White Acrylic  WLL - White Acrylic Formulated For LED Fixtures	SM - Matte Silver (Standard) BK - Black TB - Textured Black AC - Antique Copper AS - Antique Silver BT - Bronze Mist CP - Copper SN - Sand SW - Swedish Steel BZ - Textured Bronze TW - Textured White  RAL Colors or Custom Match - Consult Factory	30K - 3000K Color Temperature 35K - 3500K Color Temperature 40K - 4000K Color Temperature MSI - MSI-FM105 120/277V F - Fused

REPLACEMENT PARTS	PART NO.
White Acrylic Diffuser	3021460
White Acrylic LED Diffuser	3053360

**NOTES**

We reserve the right to revise the design or components of any product due to parts availability or change in UL standards, without assuming any obligation or liability to modify any products previously manufactured, and without notice.



PROJECT :
TYPE :
ORDERING # :
COMMENTS :

PRODUCT	SOURCE/WATTAGE	30K SPECIFICATIONS
Myrtle Beach II	<b>L13.0 - (48) LED Array</b> - Constant Current @560mA - 15.0 Input Watts  50,000 Hours(L70)	<b>13.0 LED ARRAY</b> <b>30K</b> - 3000K Color Temp. - 80 CRI Typ. - 1700 LED Source Lumens - 105 LED Source Lumens Per Watt
	<b>L16.3 - (60) LED Array</b> - Constant Current @560mA - 19.0 Input Watts  50,000 Hours(L70)	<b>16.3W LED ARRAY</b> <b>30K</b> - 3000K Color Temp. - 80 CRI Typ. - 2110 LED Source Lumens - 103 LED Source Lumens Per Watt
	<b>L21.0 - (60) LED Array</b> - Constant Current @700mA - 24.0 Input Watts  50,000 Hours(L70)	<b>21.0W LED ARRAY</b> <b>30K</b> - 3000K Color Temp. - 80 CRI Typ. - 2640 LED Source Lumens - 105 LED Source Lumens Per Watt

