

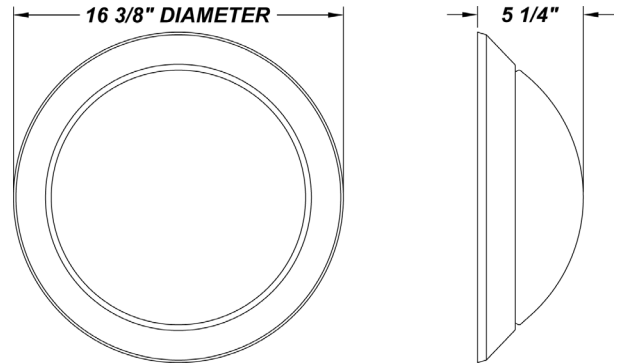
PROJECT :
TYPE :
ORDERING # :
COMMENTS :

MEDALLION C LED



FEATURES

- Steel Trim w/ Brushed Nickel Plated Finish
- Twist-Lock White Glass Diffuser
- Steel Mounting Pan w/ Hi-Reflectance White Powder Coat Finish
- Mounts Directly to 4" Junction Box (By Others)
J-Box Centered in Fixture
- Mounting Hardware Included
- CSA Listed Damp Location



ORDERING INFORMATION

Example : (MEDC - L16.3 - 120-277V - ZE560 - SM - 30K) Brushed Nickel is Standard Finish

PRODUCT	SOURCE/WATTAGE	VOLTAGE	DRIVER OPTIONS	DIFFUSER	FINISH	OPTIONS
Medallion C	L13.0 - (48) LED Array L16.3 - (60) LED Array L21.0 - (60) LED Array	120 - 277V (50 / 60Hz)	ZE560 - Line Voltage 4-Wire 0-10V Dimming Driver (For L13.0 & 16.3 Only) ZE700 - Line Voltage 4-Wire 0-10V Dimming Driver (For L21.0 Only)	Not Applicable	BN - Brushed Nickel (Standard) SM - Matte Silver TB - Textured Black AC - Antique Copper AS - Antique Silver BT - Bronze Mist CP - Copper SN - Sand SW - Swedish Steel BZ - Textured Bronze TW - Textured White RAL Colors or Custom Match - Consult Factory	27K - 2700K Color Temperature 30K - 3000K Color Temperature 35K - 3500K Color Temperature 40K - 4000K Color Temperature MSI - MSI-FM105 120/277V F - Fused

PRODUCT	SOURCE/WATTAGE	30K SPECIFICATIONS
Medallion C	L13.0 - (48) LED Array - Constant Current @560mA - 13.0 Input Watts 50,000 Hours(L70)	13.0 LED ARRAY 30K - 3000K Color Temp. - 80 CRI Typ. - 1700 LED Source Lumens - 130.8 LED Source Lumens Per Watt
	L16.3 - (60) LED Array - Constant Current @560mA - 16.3 Input Watts 50,000 Hours(L70)	16.3W LED ARRAY 30K - 3000K Color Temp. - 80 CRI Typ. - 2110 LED Source Lumens - 129.4 LED Source Lumens Per Watt
	L21.0 - (60) LED Array - Constant Current @700mA - 21.0 Input Watts 50,000 Hours(L70)	21.0W LED ARRAY 30K - 3000K Color Temp. - 80 CRI Typ. - 2640 LED Source Lumens - 125.7 LED Source Lumens Per Watt

REPLACEMENT PARTS	PART NO.
White Glass Diffuser	3701360

NOTES

We reserve the right to revise the design or components of any product due to parts availability or change in UL standards, without assuming any obligation or liability to modify any products previously manufactured, and without notice.

