

MEDALLION C

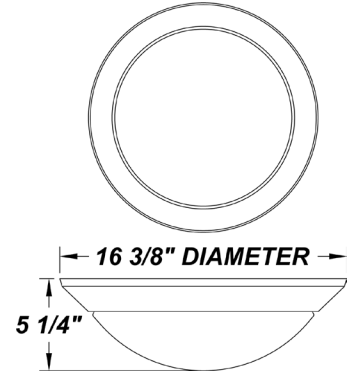


COMPACT FLUORESCENT

PROJECT :
TYPE :
ORDERING # :
COMMENTS :

FEATURES

- Steel Trim w/ Brushed Nickel Plated Finish Coat Finish
- Twist-Lock White Glass Diffuser
- Steel Mounting Pan w/ Hi-Reflectance Brushed Nickel Plated Finish
- Mounts Directly to 4" Junction Box
(By Others) J-Box Centered in Fixture
- Mounting Hardware Included
- Lamps Included
- CSA Listed Damp Location For Wall or Ceiling Mount



ORDERING INFORMATION

Example : (MEDC - F126Q - 120E - TW - 35K)

Brushed Nickel is Standard Finish

PRODUCT	SOURCE/WATTAGE	VOLTAGE	DIFFUSER	FINISH	OPTIONS
Medallion C	F113Q - (1) 13W QE F118Q - (1) 18W QE F126Q - (1) 26W QE F226Q - (2) 26W QE	120E - Electronic 277E - Electronic 347E - Electronic	Not Applicable	BN - Brushed Nickel SM - Matte Silver TB - Textured Black AC - Antique Copper AS - Antique Silver BT - Bronze Mist SN - Sand SW - Swedish Steel BZ - Textured Bronze TW - Textured White RAL Colors or Custom Match - Consult Factory	41K - 4100K Color Temp. (QE Only) (Standard) 35K - 3500K Color Temp. 30K - 3000K Color Temp. 27K - 2700K Color Temp. F - Fused (Not Available For 347V) DIM - Dimming Ballast (QE Electronic Only) EBR - Remote Mount Battery (Field Installed)* (QE & TBX Only) MSP - Program Start Ballast (Recommended for Motion Sensor) ***

REPLACEMENT PARTS

PART NO.

White Glass Diffuser

3701360

We reserve the right to revise the design or components of any product due to parts availability or change in UL standards, without assuming any obligation or liability to modify any products previously manufactured, and without notice.

NOTES

***Emergency Battery Options**

Initial light output in Emergency mode will last for a minimum of 90 minutes. 1 lamp wired unless ordered otherwise. The following are suitable for indoor and damp locations. Please refer to Bodine's specification sheet

EBR:

Bodine's B94CG (Electronic) - Temperature Rating (Ambient) 32° F - 122° F

ARRA 2009



BUY AMERICA ACT C US

*** For Electronic Wattage Fixtures Being Used in Conjunction With an Occupancy Sensor (Either Provided by us, or Your Own System), a Program Start Ballast is Recommended in Order to Maximize Lamp Life.