

ALLERO MSE LED 49"

Architectural Indoor



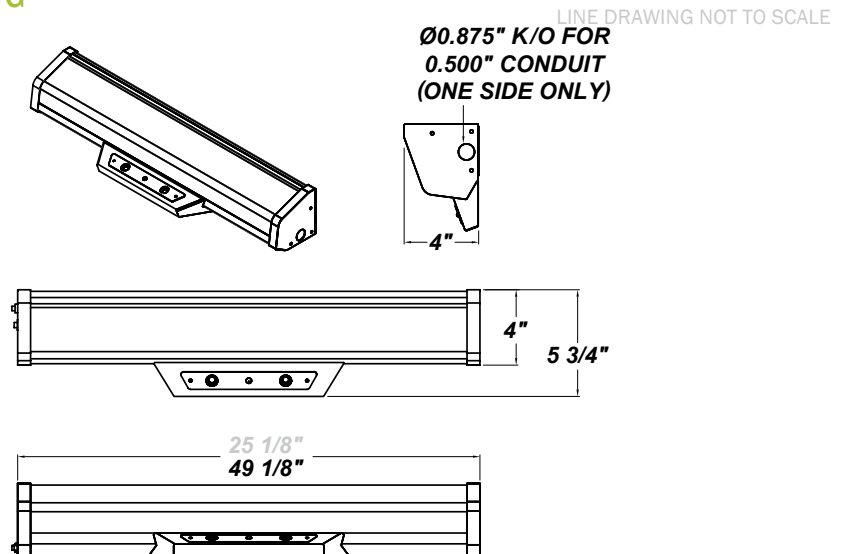
| | |
|-----------|------|
| PROJECT: | |
| TYPE: | |
| PO#: | QTY: |
| COMMENTS: | |

FEATURES

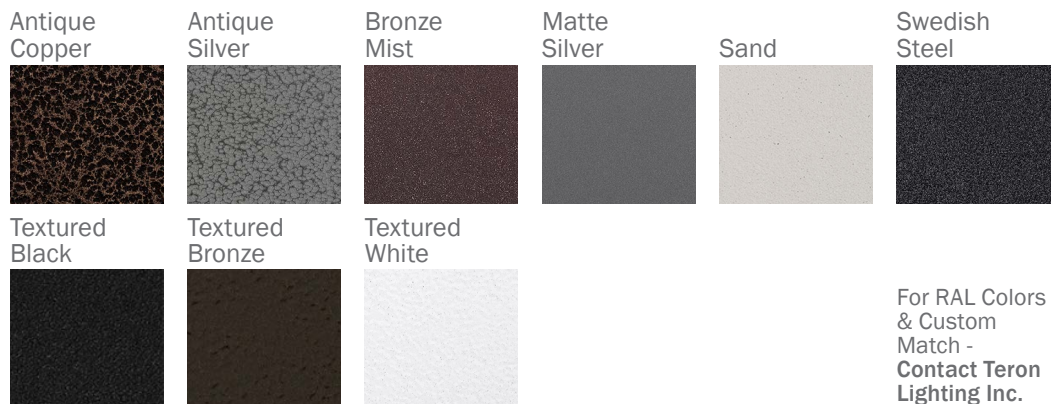
- [External Motion Sensor](#)
- Steel Housing & End Caps with Matte Silver Powder Coat Finish & light Reducing Solid Top
- High Impact Frosted Acrylic Diffuser
- Steel Reflector Plate with Hi-Reflectance White Powder Coat Finish
- Mounts Directly to Wall or Ceiling with Four Wall Anchors (Not Included)
- Constant Current
- Dimmable 0-10V, 10-90% Bi-Level Step Dimming - 10% increments
- IES Files Available (Tested with Standard White Acrylic Lens Assembly)
- Optional Mounting of Luminaire - Directing The LEDs 20 Degrees From Horizontal or 70 Degrees From Horizontal (FS-505 Recommended in Standard Mounting Position Only)
- ADA Compliant
- CSA Listed Damp Location For Wall or Ceiling Mount
- LED Light Fixture



LINE DRAWING



FINISHES



ALLERO MSE LED 49"

Architectural Indoor



Fixture Core

| | |
|-----------|------|
| PROJECT: | |
| TYPE: | |
| PO#: | QTY: |
| COMMENTS: | |

| PRODUCT CODE | SOURCE/WATTAGE | VOLTAGE | DIMMING BALLAST |
|---------------------------|--|--|--|
| ALO48 - Allero 49" | L38.3-ZE1050 - 42W @ 1050mA Constant Current Dimming Electronic Driver (Dimmable 0-10V) L34.7-TE950 - 40W @ 950mA Constant Current ELV Dimming Electronic Driver | 120V 277V 347V (50 / 60Hz) | SDxx - Bi-Level Step Dimming from 10-90% in increments of 10% (replace xx in ordering code with requested dimming percentage) |
| ORDER INFO | | | |
| ALO48 | L38.3-ZE1050 | 120V | SD50 |

Example ^ (may not represent a manufacturable product)

Aesthetics & Options

| TRIM | FINISH | COLOR TEMP | OPTIONS |
|--|--|--|---|
| MSE - External Motion Sensor (Wattstopper FS-505) | AC - Antique Copper AS - Antique Silver BT - Bronze Mist SM - Matte Silver (Standard) SN - Sand SW - Swedish Steel TB - Textured Black BZ - Textured Bronze TW - Textured White | 51K - 5100K Color Temp. 40K - 4000K Color Temp. 35K - 3500K Color Temp. 30K - 3000K Color Temp. 27K - 2700K Color Temp. | FAL - Frosted Acrylic Lens WAL - White Acrylic Lens Assembly (Standard) EB - BSL310LP Emergency Driver (120V - 277V Only) TP - Tamper Resistant Screws F - Fused |
| ORDER INFO | | | |
| MSE | AC | 51K | FAL-WAL |

Example ^ (may not represent a manufacturable product)

| PROD | SOURCE | | | | | |
|------|--------|--|--|--|--|--|
| | | | | | | |

| REPLACEMENT PART | PART NO | NOTES |
|--------------------------------|---------|---|
| Frosted 4' Acrylic Diffuser | 3001562 | *Don't see the configuration you are looking for? Call us today at (513) 858-6004 |
| White 4' Acrylic Lens Assembly | 38113 | |



TERONLIGHTING.COM
 33 DONALD DR, FAIRFIELD, OH 45014
 P: 513.858.6004 F: 513.858.6038
 E: SALES@TERONLIGHT.COM



We reserve the right to revise the design components of any product due to parts availability or change in UL standards, without assuming any obligation or liability to modify any products previously manufactured, and without notice.