

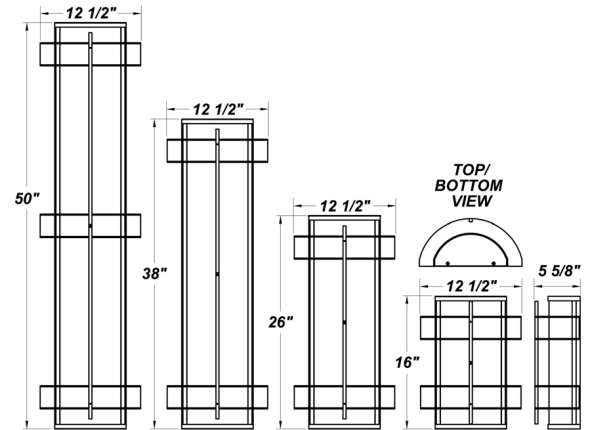
| |
|--------------|
| PROJECT : |
| TYPE : |
| ORDERING # : |
| COMMENTS : |

GUARDIAN W SAT LED



FEATURES

- Extruded Aluminum Housing w/ Matte Silver Polyester Powder Coat Finish
- Aluminum Fascia w/ Matte Silver Polyester Powder Coat Finish
- Die Cast Aluminum End Caps w/ Matte Silver Polyester Powder Coat Finish
- High Impact White Acrylic Diffuser (50% DR Acrylic)
- Aluminum Reflector w/ Hi-Reflectance White Powder Coat Finish
- Recessed Steel Screws
- Fixture Mounts Directly to Surface w/ Two Wall Anchors (Not Included)
- Over-Voltage, Over-Current, and Short-Circuit Protection w/ Auto Recovery (For 33.6W Only)
- 120V - 277V, Plus 347V For Selected Wattages
- Surge Protector (For L33.6 & L18.0 Only)
- CSA Listed Wet Location For Wall Mount Only



ORDERING INFORMATION

Example : (GRDW - SAT - L33.6 - 120-277V - 12CV - WAL - TB - 51K) Matte Silver is Standard Finish

| PRODUCT | SOURCE/WATTAGE | VOLTAGE | DRIVER OPTIONS | DIFFUSER | FINISH | OPTIONS |
|---------------------------------------|---|---|---|---------------------------------|---|---|
| Guardian W SAT 16" (GRDW-SAT) | L33.6 - 33.6W LED Strip(s) L18.0 - 18W LED Strip(s) | 120 - 277V (L18.0 is Dimmable From 120 - 230V) (120 - 277V Dimmable For 0-10V) | 12CV - 12V Constant Voltage Non-Dimming Electronic Driver (For L33.6) TE500 - 500mA ELV Low Voltage 2-Wire Electronic Driver (For L18.0) LE500 - 500mA Line Voltage 2-Wire Dimming Driver (For L18.0) (120V Only) | WAL - White Acrylic Lens | SM - Matte Silver TB - Textured Black AC - Antique Copper AS - Antique Silver BT - Bronze Mist SN - Sand SW - Swedish Steel BZ - Textured Bronze TW - Textured White | 30K - 3000K Color Temp. 35K - 3500K Color Temp. (L18.0 Only) 40K - 4000K Color Temp. 51K - 5100K Color Temp. (L33.6 Only) OEL - Single End Window TEL - Twin End Windows (Both Ends) |
| Guardian W SAT 2' (GRDW24-SAT) | L36.5 - 36.5W LED Strip(s) * L46.5 - 46.5W LED Strip(s) L49.5 - 49.5W LED Strip(s) L70 life time for 50,000hr * Available in 347V | 347V Available For L36.5 Only (Of Wattages Listed On This Page) (L36.5 is Dimmable For 0-10V) | ZE1050 - 1050mA Line Voltage 4-Wire Dimming Driver (For L36.5) (Dimmable 0 - 10V) ZE1100 - 1100mA Line Voltage 4-Wire Dimming Driver (For L46.5) (Dimmable 0 - 10V) ZE1150 - 1150mA Line Voltage 4-Wire Dimming Driver (For L49.5) (Dimmable 0 - 10V) | | RAL Colors or Custom Match - Consult Factory | |

REPLACEMENT PARTS PART NO.

| | |
|-------------------------------|-------|
| 16" Acrylic LED Lens Assembly | 38200 |
| 2' Acrylic LED Lens Assembly | 38216 |

NOTES

We reserve the right to revise the design or components of any product due to parts availability or change in UL standards, without assuming any obligation or liability to modify any products previously manufactured, and without notice.



ARCHITECTURAL OUTDOOR

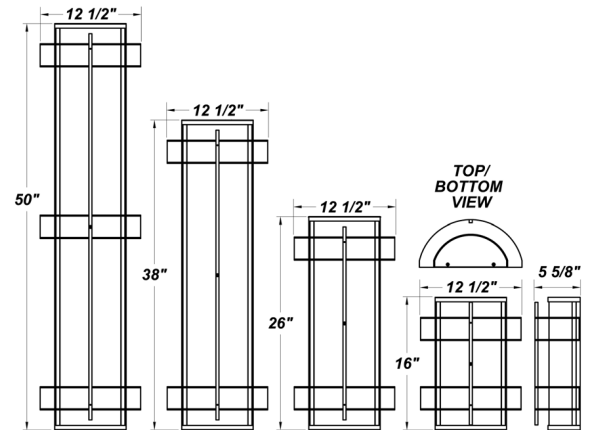
GUARDIAN W SAT LED



| |
|--------------|
| PROJECT : |
| TYPE : |
| ORDERING # : |
| COMMENTS : |

FEATURES

- Extruded Aluminum Housing w/ Matte Silver Polyester Powder Coat Finish
- Aluminum Fascia w/ Matte Silver Polyester Powder Coat Finish
- Die Cast Aluminum End Caps w/ Matte Silver Polyester Powder Coat Finish
- High Impact White Acrylic Diffuser (50% DR Acrylic)
- Steel Reflector w/ Hi-Reflectance White Powder Coat Finish
- Recessed Steel Screws
- Fixture Mounts Directly to Surface w/ Two Wall Anchors (Not Included)
- Over-Voltage, Over-Current, and Short-Circuit Protection w/ Auto Recovery
- 120V - 277V, Plus 347V For Selected Wattages
- Surge Protector
- CSA Listed Wet Location For Wall Mount Only



ORDERING INFORMATION

Example : (GRDW36 - SAT - L72.0 - 120 - 277V - ZE714 - WAL - SW - 40K)

Matte Silver is Standard Finish

| PRODUCT | SOURCE/WATTAGE | VOLTAGE | DRIVER OPTIONS | DIFFUSER | FINISH | OPTIONS |
|--------------------------------|---|---|--|--------------------------|--|--|
| Guardian W SAT 3' (GRDW36-SAT) | L72.0 - 72.0W LED Strip(s) | 120 - 277V (120 - 347V Dimmable For 0-10V) | ZE714 - 700mA & 1400mA Line Voltage 4-Wire Dimming Driver (For L72.0) (Dimmable 0 - 10V) | WAL - White Acrylic Lens | SM - Matte Silver TB - Textured Black AC - Antique Copper AS - Antique Silver BT - Bronze Mist SN - Sand SW - Swedish Steel BZ - Textured Bronze TW - Textured White | 30K - 3000K Color Temp. 35K - 3500K Color Temp. 40K - 4000K Color Temp. ADA - ADA Compliant Fascia OEL - Single End Window TEL - Twin End Windows (Both Ends) |
| Guardian W SAT 4' (GRDW48-SAT) | L70.0 - 70.0W LED Strip(s) * L75.0 - 75.0W LED Strip(s) L70 life time for 50,000hr * Available in 347V | 347V Available For L70.0 Only (Of Wattages Listed On This Page) | ZE1050 - 1050mA Line Voltage 4-Wire Dimming Driver (For L70.0) (Dimmable 0 - 10V) ZE1100 - 1100mA Line Voltage 4-Wire Dimming Driver (For L75.0) (Dimmable 0 - 10V) | | RAL Colors or Custom Match - Consult Factory | |

REPLACEMENT PARTS PART NO.

| | |
|------------------------------|-------|
| 3' Acrylic LED Lens Assembly | 38217 |
| 4' Acrylic LED Lens Assembly | 38218 |

NOTES

We reserve the right to revise the design or components of any product due to parts availability or change in UL standards, without assuming any obligation or liability to modify any products previously manufactured, and without notice.





| |
|--------------|
| PROJECT : |
| TYPE : |
| ORDERING # : |
| COMMENTS : |

| PRODUCT | SOURCE/WATTAGE | 30K SPECIFICATIONS | 40K SPECIFICATIONS | 51K SPECIFICATIONS |
|--------------------|----------------------------|--|--|--|
| Guardian W SAT 16" | L33.6 - 33.6W LED Strip(s) | Eight 4.2W LED Strips 30K - 3000K Color Temp. 3 Nichia NS3x183 Series LEDs Per Strip - SW30Bin, Color Temp = 3000K Nominal - Constant Voltage at 12 Volts by Driver - 80 CRI typ. (75 CRI min) 688 Lumens - 39W Input = Estimated 17.6 Fixture Lumens Per Watt | Eight 4.2W LED Strips 40K - 4000K Color Temp. 3 Nichia NS3x183 Series LEDs Per Strip - SW30Bin, Color Temp = 4000K Nominal - Constant Voltage at 12 Volts by Driver - 80 CRI typ. (75 CRI min) 754 Lumens - 39W Input = Estimated 19.3 Fixture Lumens Per Watt | Eight 4.2W LED Strips 51K - 5100K Color Temp. 3 Nichia NS3x183 Series LEDs Per Strip - SW51Bin, Color Temp = 5100K Nominal - Constant Voltage at 12 Volts by Driver - 80 CRI typ. (75 CRI min) 900 Lumens - 39W Input = Estimated 23.1 Fixture Lumens Per Watt |

| PRODUCT | SOURCE/WATTAGE | 30K SPECIFICATIONS | 35K SPECIFICATIONS | 40K SPECIFICATIONS |
|--------------------|----------------------------|--|--|--|
| Guardian W SAT 16" | L18.0 - 18.0W LED Strip(s) | L18.0 30K - 3000K Color Temp. - 34 fV, Color Temp = 3000K Nominal - Constant Current 500 Milliamps Driver - 19.0W Input = 948 LED Lumens - Estimated 49.9 Lumens Per Watt | L18.0 35K - 3500K Color Temp. - 34 fV, Color Temp = 3500K Nominal - Constant Current 500 Milliamps Driver - 19.0W Input = 968 LED Lumens - Estimated 50.9 Lumens Per Watt | L18.0 40K - 4000K Color Temp. - 34 fV, Color Temp = 4000K Nominal - Constant Current 500 Milliamps Driver - 19.0W Input = 998 LED Lumens - Estimated 50.5 Lumens Per Watt |

| PRODUCT | SOURCE/WATTAGE | 30K SPECIFICATIONS | 35K SPECIFICATIONS | 40K SPECIFICATIONS |
|-------------------|----------------------------|--|--|--|
| Guardian W SAT 2' | L36.5 - 36.5W LED Strip(s) | L36.5 30K - 3000K Color Temp. - 34 fV, Color Temp = 3000K Nominal - Constant Current 1050 Milliamps Driver - 47.3W Input = 2437 LED Lumens - Estimated 51.5 Lumens Per Watt | L36.5 35K - 3500K Color Temp. - 34 fV, Color Temp = 3500K Nominal - Constant Current 1050 Milliamps Driver - 47.3W Input = 2488 LED Lumens - Estimated 52.6 Lumens Per Watt | L36.5 40K - 4000K Color Temp. - 34 fV, Color Temp = 4000K Nominal - Constant Current 1050 Milliamps Driver - 47.3W Input = 2565 LED Lumens - Estimated 54.2 Lumens Per Watt |
| | | L46.5 30K - 3000K Color Temp. - 34 fV, Color Temp = 3000K Nominal - Constant Current 1100 Milliamps Driver - 51.0W Input = 2550 LED Lumens - Estimated 50.0 Lumens Per Watt | L46.5 35K - 3500K Color Temp. - 34 fV, Color Temp = 3500K Nominal - Constant Current 1100 Milliamps Driver - 51.0W Input = 2600 LED Lumens - Estimated 51.0 Lumens Per Watt | L46.5 40K - 4000K Color Temp. - 34 fV, Color Temp = 4000K Nominal - Constant Current 1100 Milliamps Driver - 51.0W Input = 2700 LED Lumens - Estimated 52.9 Lumens Per Watt |
| | L46.5 - 46.5W LED Strip(s) | L49.5 30K - 3000K Color Temp. - 34 fV, Color Temp = 3000K Nominal - Constant Current 1150 Milliamps Driver - 53.0W Input = 2670 LED Lumens - Estimated 50.4 Lumens Per Watt | L49.5 35K - 3500K Color Temp. - 34 fV, Color Temp = 3500K Nominal - Constant Current 1150 Milliamps Driver - 53.0W Input = 2680 LED Lumens - Estimated 50.5 Lumens Per Watt | L49.5 40K - 4000K Color Temp. - 34 fV, Color Temp = 4000K Nominal - Constant Current 1150 Milliamps Driver - 53.0W Input = 2800 LED Lumens - Estimated 52.8 Lumens Per Watt |

ARRA 2009



BUY AMERICA ACT C US



| |
|--------------|
| PROJECT : |
| TYPE : |
| ORDERING # : |
| COMMENTS : |

| PRODUCT | SOURCE/WATTAGE | 30K SPECIFICATIONS | 35K SPECIFICATIONS | 40K SPECIFICATIONS |
|----------------------|----------------------------|---|---|---|
| Guardian W SAT 3' | L72.0 - 72.0W LED Strip(s) | <p>L72.0</p> <p>30K - 3000K Color Temp.</p> <p>- 34 fV, Color Temp = 3000K Nominal - Constant Current 1400 Milliamps Driver & 700 Milliamps Driver - 78.2W Input = 3873 LED Lumens - Estimated 49.6 Lumens Per Watt</p> | <p>L72.0</p> <p>35K - 3500K Color Temp.</p> <p>- 34 fV, Color Temp = 3500K Nominal - Constant Current 1400 Milliamps Driver & 700 Milliamps Driver - 78.2W Input = 3955 LED Lumens - Estimated 50.6 Lumens Per Watt</p> | <p>L72.0</p> <p>40K - 4000K Color Temp.</p> <p>- 34 fV, Color Temp = 4000K Nominal - Constant Current 1400 Milliamps Driver & 700 Milliamps Driver - 78.2W Input = 4077 LED Lumens - Estimated 52.1 Lumens Per Watt</p> |

| PRODUCT | SOURCE/WATTAGE | 30K SPECIFICATIONS | 35K SPECIFICATIONS | 40K SPECIFICATIONS |
|----------------------|----------------------------|---|---|---|
| Guardian W SAT 4' | L70.0 - 70.0W LED Strip(s) | <p>L70.0</p> <p>30K - 3000K Color Temp.</p> <p>- 34 fV, Color Temp = 3000K Nominal - Constant Current 1050 Milliamps Driver - 80.0W Input = 4975 LED Lumens - Estimated 62.2 Lumens Per Watt</p> | <p>L70.0</p> <p>35K - 3500K Color Temp.</p> <p>- 34 fV, Color Temp = 3500K Nominal - Constant Current 1050 Milliamps Driver - 80.0W Input = 5080 LED Lumens - Estimated 63.5 Lumens Per Watt</p> | <p>L70.0</p> <p>40K - 4000K Color Temp.</p> <p>- 34 fV, Color Temp = 4000K Nominal - Constant Current 1050 Milliamps Driver - 80.0W Input = 5230 LED Lumens - Estimated 65.4 Lumens Per Watt</p> |
| | | <p>L75.0</p> <p>30K - 3000K Color Temp.</p> <p>- 34 fV, Color Temp = 3000K Nominal - Constant Current 1100 Milliamps Driver - 91.85W Input = 5212 LED Lumens - Estimated 56.7 Lumens Per Watt</p> | <p>L75.0</p> <p>35K - 3500K Color Temp.</p> <p>- 34 fV, Color Temp = 3500K Nominal - Constant Current 1100 Milliamps Driver - 91.85W Input = 5322 LED Lumens - Estimated 57.9 Lumens Per Watt</p> | <p>L75.0</p> <p>40K - 4000K Color Temp.</p> <p>- 34 fV, Color Temp = 4000K Nominal - Constant Current 1100 Milliamps Driver - 91.85W Input = 5486 LED Lumens - Estimated 59.7 Lumens Per Watt</p> |
| | L75.0 - 75.0W LED Strip(s) | <p>L70.0</p> <p>30K - 3000K Color Temp.</p> <p>- 34 fV, Color Temp = 3000K Nominal - Constant Current 1050 Milliamps Driver - 80.0W Input = 4975 LED Lumens - Estimated 62.2 Lumens Per Watt</p> | <p>L70.0</p> <p>35K - 3500K Color Temp.</p> <p>- 34 fV, Color Temp = 3500K Nominal - Constant Current 1050 Milliamps Driver - 80.0W Input = 5080 LED Lumens - Estimated 63.5 Lumens Per Watt</p> | <p>L70.0</p> <p>40K - 4000K Color Temp.</p> <p>- 34 fV, Color Temp = 4000K Nominal - Constant Current 1050 Milliamps Driver - 80.0W Input = 5230 LED Lumens - Estimated 65.4 Lumens Per Watt</p> |
| | | <p>L75.0</p> <p>30K - 3000K Color Temp.</p> <p>- 34 fV, Color Temp = 3000K Nominal - Constant Current 1100 Milliamps Driver - 91.85W Input = 5212 LED Lumens - Estimated 56.7 Lumens Per Watt</p> | <p>L75.0</p> <p>35K - 3500K Color Temp.</p> <p>- 34 fV, Color Temp = 3500K Nominal - Constant Current 1100 Milliamps Driver - 91.85W Input = 5322 LED Lumens - Estimated 57.9 Lumens Per Watt</p> | <p>L75.0</p> <p>40K - 4000K Color Temp.</p> <p>- 34 fV, Color Temp = 4000K Nominal - Constant Current 1100 Milliamps Driver - 91.85W Input = 5486 LED Lumens - Estimated 59.7 Lumens Per Watt</p> |

ARRA 2009



BUY AMERICA ACT C US