

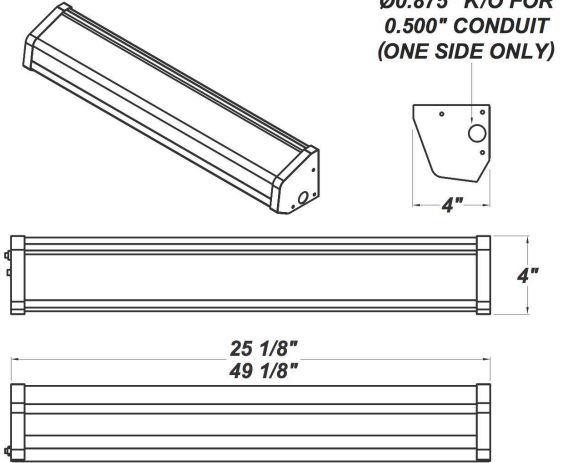
PROJECT :
TYPE :
ORDERING # :
COMMENTS :

**ALLERO**



**FEATURES**

- Steel Housing & End Caps w/ Matte Silver Powder Coat Finish
- High Impact Frosted Acrylic Diffuser
- Steel Reflector Plate w/ Hi-Reflectance White Powder Coat Finish
- Mounts Directly to Wall or Ceiling w/ Four Wall Anchors (Not Included)
- Standard Lens Includes Internal Anti-Glare Diffuser
- CSA Listed Damp Location
- ADA Compliant



**ORDERING INFORMATION**

Example : (ALO24214E - 277E - WAL - SW -TP)

Matte Silver is Standard Finish

PRODUCT	SOURCE/WATTAGE	VOLTAGE	DIFFUSER / TRIM	FINISH	OPTIONS
Allero 25"	ALO24217E - (2) 17W T8	120E - 120V Electronic	FAL - Frosted Acrylic Lens (Standard)	SM - Matte Silver	F - Fused (120V / 277V Only)
	ALO24214E - (2) 14W T5	277E - 277V Electronic	WAL - Frosted & White Acrylic Lens Assembly	TB - Textured Black	MSE - Wattstopper FS-505 External Motion Sensor w/ Power Pack
ALO24224E - HO* - (2) 24W T5	347E - 347V Electronic	AC - Antique Copper		EBW - Integral Emergency Battery (See Below)	
Allero 49"	ALO48232E - (2) 32W T8	*HO - High Output		AS - Antique Silver	TP - Tamper Resistant Screws
	ALO48228E - (2) 28W T5			BT - Bronze Mist	W2L - Wire 2 Lamps to Integral Emergency Battery (T8 Lamping Only)
	ALO48254E - HO* - (2) 54W T5			SN - Sand	MSP - Program Start Ballast (Standard w/ Motion Sensor) ***
				SW - Swedish Steel	
			BZ - Textured Bronze		
			TW - Textured White		
			MB - Metallic Black		
				RAL Colors or Custom Match - Consult Factory	

**REPLACEMENT PARTS**

**PART NO.**

Frosted 2' Acrylic Diffuser	3029662
Frosted 4' Acrylic Diffuser	3001562
White 2' Acrylic Lens Assembly	38112
White 4' Acrylic Lens Assembly	38113

**NOTES**

\*\*\* For Electronic Wattage Fixtures Being Used in Conjunction With an Occupancy Sensor (Either Provided by us, or Your Own System), a Program Start Ballast is Recommended in Order to Maximize Lamp Life.

**Emergency Battery Options**

Initial light output in Emergency mode will last for a minimum of 90 minutes. 1 lamp wired unless ordered otherwise. The following are suitable for indoor and damp locations. Please refer to Bodine's specification sheet.

EBW : Bodine's B50LP (T8 Electronic) - Temperature Rating (Ambient) 32° F - 122° F  
Bodine's LP550 (T5 Electronic) - Temperature Rating (Ambient) 32° F - 122° F



PROJECT :
TYPE :
ORDERING # :
COMMENTS :

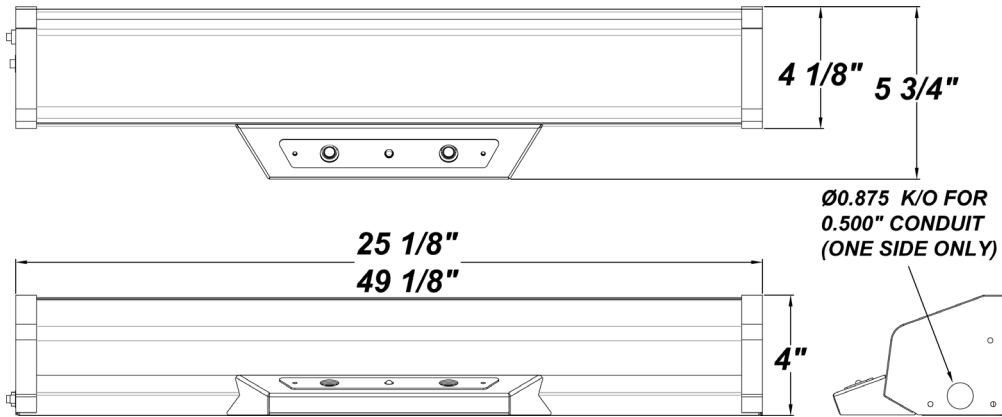
**ALLERO**



W/ MSE OPTION

**DIMMING APPLICATIONS & RESTRICTIONS**

- Step-Dimming is available at 10% and 40% for 32W T8 linear lamps
  - Emergency Battery is not available for use with the 10% and 40% Step-Dim option
  - Ballast used is the **Robertson brand #PSL232T8MV3D**
- Step-Dimming is available at 50% for 17W and 32W T8 Linear Lamps
  - Emergency Battery is available for use with the 50% Step-Dim option
  - Ballast used is the **Universal brand #B232PUS50-A**
- Step-Dimming is available at 50% for 28W T5 Linear Lamps
  - Emergency Battery is available for use with the 50% Step-Dim option
  - Ballast used is the **Philips Advance brand #IOP-2S28-95-SC-SD**
- All 3 ballasts meet California's Title 24 requirement by reducing power by 50% or more



**MOTION SENSOR WITH 2 BALLASTS "MS2B" APPLICATIONS & RESTRICTIONS**

- The "MS2B" option is intended to have one lamp providing 100% constant light output, while the other lamp is connected to the Motion Sensor. Two ballasts are required with this option

REPLACEMENT PARTS	PART NO.
Frosted 2' Acrylic Diffuser	3029662
Frosted 4' Acrylic Diffuser	3001562
White 2' Acrylic Lens Assembly	38112
White 4' Acrylic Lens Assembly	38113

**NOTES**

We reserve the right to revise the design or components of any product due to parts availability or change in UL standards, without assuming any obligation or liability to modify any products previously manufactured, and without notice.

