

ALLERO LED

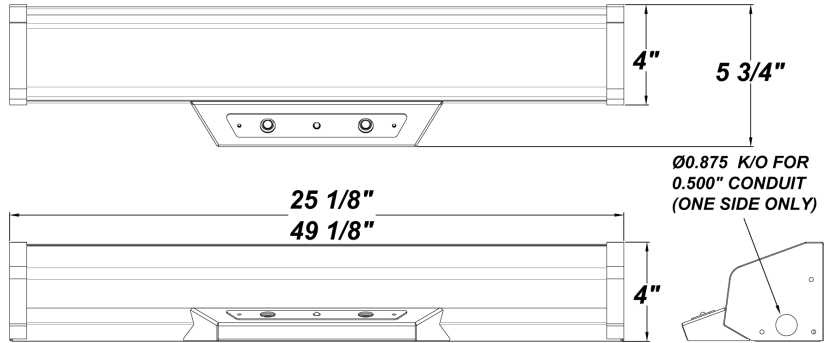


W/ MSE OPTION

PROJECT :
TYPE :
ORDERING # :
COMMENTS :

FEATURES

- Steel Housing & End Caps w/ Matte Silver Powder Coat Finish
- Solid Top, Which Reduces Uplight
- High Impact Frosted And White Acrylic Diffuser Assembly Formulated For Use With LEDs
- Steel Reflector Plate w/ Hi-Reflectance White Powder Coat Finish
- Mounts Directly to Wall or Ceiling w/ Four Wall Anchors (Not Included)
- 0-10V and Trailing Edge (ELV) Dimming Compatible Options Available
- Constant Current, Dimmable 0-10V, 10%, 25%, And 50% Step Dimmable
- ADA Compliant
- CSA Listed Damp Location For Wall or Ceiling Mount
- L70 Life Time For 50,000hr
- IES Files Available (Tested w/ Standard White Acrylic Lens Assembly)
- Optional Mounting of Luminaire From Directing The LEDs 20 Degrees From Horizontal or flipped to 70 Degrees From Horizontal to Allow Versatility in Any Area (FS-505 Recommended in Standard Mounting Position Only)



ORDERING INFORMATION

Example : (ALO24 - L20.1 - ZE550 - 120-277V - WAL - SW - TP - 30K)

Matte Silver is Standard Finish

PRODUCT	SOURCE/WATTAGE	VOLTAGE	DIMMING	DIFFUSER	FINISH	OPTIONS
ALO24						
Allero 25" (ALO24)	L20.1-ZE550 28W @ 550mA Constant Current Electronic Driver (Dimmable 0-10V) L20.1-TE550 22W @ 550mA Constant Current ELV Dimming Electronic Driver L20.1 = 1797 Total Delivered Lumens, Based on IES Testing 64.2 Lumens Delivered Lumens Per Watt L70 life time for 50,000hr	120 - 277V (50 / 60Hz)	SD10 - Bi-level Step Dimming (10 - 100%) SD25 - Bi-level Step Dimming (25 - 100%) SD50 - Bi-level Step Dimming (50 - 100%)	WAL - Frosted & White Acrylic Lens Assembly (Standard) FAL - Frosted Acrylic Lens	SM - Matte Silver TB - Textured Black AC - Antique Copper AS - Antique Silver BT - Bronze Mist CP - Copper KC - Kenworth Chrome SN - Sand SW - Swedish Steel BZ - Textured Bronze TW - Textured White RAL Colors or Custom Match - Consult Factory	51K - 5100K Color Temp. 40K - 4000K Color Temp. 35K - 3500K Color Temp. 30K - 3000K Color Temp. 27K - 2700K Color Temp. MSE - Wattstopper FS-505 External Motion Sensor w/ Power Pack (120V / 277V Only) TP - Tamper Resistant Screws F - Fused (120V / 277V Only)

REPLACEMENT PARTS PART NO.

Frosted 2' Acrylic Diffuser	3029662
White 2' Acrylic Lens Assembly	38112

We reserve the right to revise the design or components of any product due to parts availability or change in UL standards, without assuming any obligation or liability to modify any products previously manufactured, and without notice.



ALLERO LED

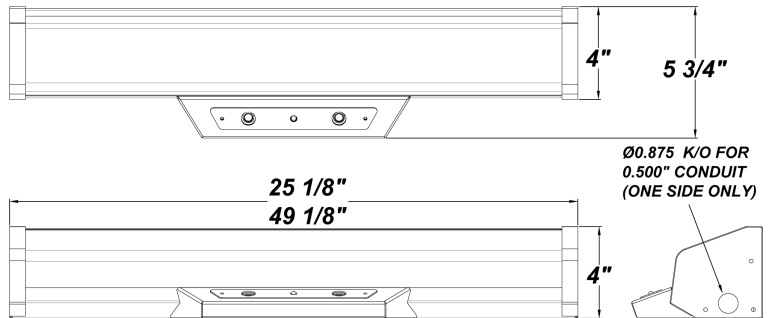


W/ MSE OPTION

PROJECT :
TYPE :
ORDERING # :
COMMENTS :

FEATURES

- Steel Housing & End Caps w/ Matte Silver Powder Coat Finish
- Solid Top, Which Reduces Uplight
- High Impact Frosted And White Acrylic Diffuser Assembly Formulated For Use With LEDs
- Steel Reflector Plate w/ Hi-Reflectance White Powder Coat Finish
- Mounts Directly to Wall or Ceiling w/ Four Wall Anchors (Not Included)
- 0-10V and Trailing Edge (ELV) Dimming Compatible Options Available
- Constant Current, Dimmable 0-10V, 10%, 25%, And 50% Step Dimmable
- ADA Compliant
- CSA Listed Damp Location For Wall or Ceiling Mount
- L70 Life Time For 50,000hr
- IES Files Available (Tested w/ Standard White Acrylic Lens Assembly)
- Optional Mounting of Luminaire From Directing The LEDs 20 Degrees From Horizontal or flipped to 70 Degrees From Horizontal to Allow Versatility in Any Area (FS-505 Recommended in Standard Mounting Position Only)



ORDERING INFORMATION

Example : (ALO48 - L38.3 - ZE1050 - 347V - WAL - SW - 30K - TP)

Matte Silver is Standard Finish

PRODUCT	SOURCE/WATTAGE	VOLTAGE	DIMMING	DIFFUSER	FINISH	OPTIONS
Allero 49"	ALO48-L38.3-ZE1050 42W @ 1050mA Constant Current Dimming Electronic Driver (Dimmable 0-10V)	120 - 277V 347V (50 / 60Hz)	SD10 - Bi-level Step Dimming (10 - 100%) (347V only)	WAL - Frosted & White Acrylic Lens Assembly (Standard) FAL - Frosted Acrylic Lens	SM - Matte Silver TB - Textured Black AC - Antique Copper AS - Antique Silver BT - Bronze Mist CP - Copper KC - Kenworth Chrome SN - Sand SW - Swedish Steel BZ - Textured Bronze TW - Textured White RAL Colors or Custom Match - Consult Factory	51K - 5100K Color Temp. 40K - 4000K Color Temp. 35K - 3500K Color Temp. 30K - 3000K Color Temp. 27K - 2700K Color Temp. MSE - Wattstopper FS-505 External Motion Sensor w/ Power Pack (120V / 277V Only) EB - BSL310LP Emergency Ballast (120V - 277V Only) TP - Tamper Resistant Screws F - Fused (120V / 277V Only)
	ALO48-L34.7-TE950 40W @ 950mA Constant Current ELV Dimming Electronic Driver (120V - 277V Only) L38.3 = 3505 Total Delivered Lumens, Based on IES Testing 91.5 Lumens Delivered Lumens Per Watt L70 life time for 50,000hr	SD25 - Bi-level Step Dimming (25 - 100%) (120V / 277V Only)	SD50 - Bi-level Step Dimming (50 - 100%) (120V / 277V Only)			

REPLACEMENT PARTS

PART NO.

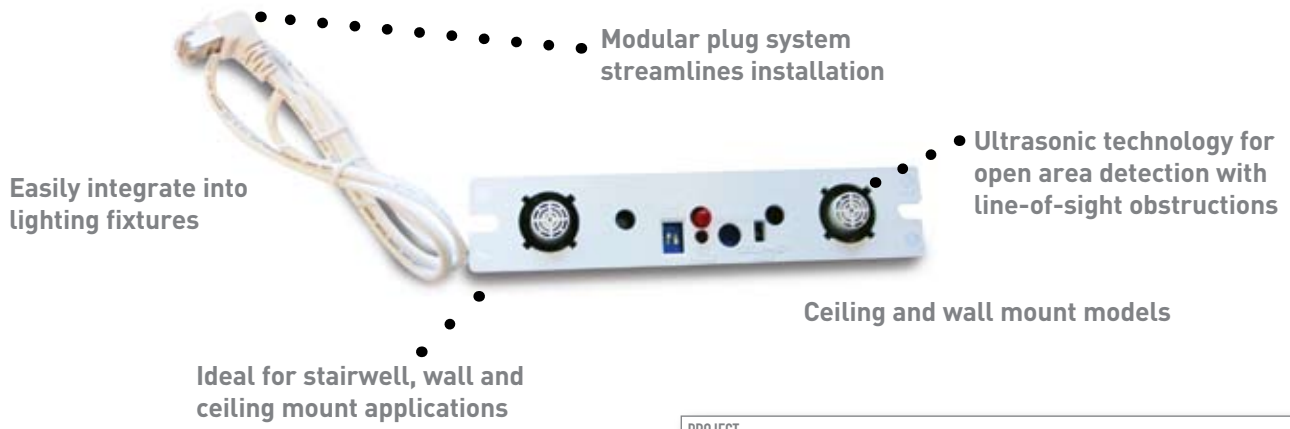
Frosted 4' Acrylic Diffuser	3001562
White 4' Acrylic Lens Assembly	38113

We reserve the right to revise the design or components of any product due to parts availability or change in UL standards, without assuming any obligation or liability to modify any products previously manufactured, and without notice.





FS-505/FS-505C Low Voltage Ultrasonic Fixture Integrated Occupancy Sensors



PROJECT
LOCATION/TYPE

Product Overview

Description

The FS-505 and FS-505C Low Voltage Ultrasonic Fixture Sensors control lighting based on occupancy. They are designed with a low-profile, architecturally pleasing appearance to easily integrate into a wide range of lighting fixtures or a customized housing. The sensors' modular plug-in system utilizes an RJ45 connector and 3' cord for flexibility and ease of use.

Operation

When connected to an FS-PP Power Pack, the FS-505 Series sensors use high frequency (40 kHz) ultrasonic technology to sense motion within a space and automatically turn lights on even when the sensor has no direct line of sight to occupants. After the area is vacated and the time delay has elapsed, the sensors automatically turn the lights off. Ultrasonic detection operates by transmitting sound waves throughout an area and measuring the speed at which they return. Movement increases the return frequency, which triggers occupancy.

The FS-505 Series sensors provide functions for testing, overriding the fixture 'ON' and a 72-hour lamp burn-in mode.

Applications

Typical applications for the FS-505 Series sensors include open office cubicles, offices, conference rooms, restrooms and hallways. This technology also provides superior detection in hard surfaced areas, such as stairwells and hallways.

For a large rectangular detection area with ceiling-mounted fixtures, the FS-505C provides excellent coverage. For specialized applications such as stairwells, the elongated coverage pattern of the FS-505 is ideal.

The FS-505 can provide bi-level lighting control in fixtures that have bi-level or dimming ballasts, resulting in up to 66% energy savings for fixtures that are on 24-hours a day, seven days a week, while still providing enough light for safety and egress.

Features

- Ultrasonic technology (40Khz)
- Compact design for installation in low-profile fixtures
- 24 VDC
- Three modes: override, burn-in and test modes



Specifications

FS-505 Low Voltage Ultrasonic Fixture Sensor



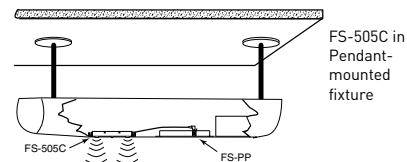
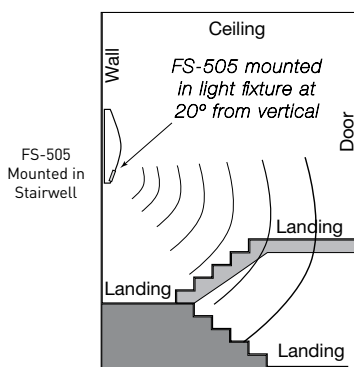
Voltage	24VDC
Current Consumption	43mA
Power Supply	FS-PP Fixture Power Pack
Time Delay	5-30 minutes
Coverage at 8' ht.	24' (731.5cm) diameter
Operating Temp	32-131°F (0-55°C)
Color	White
Dimensions*	5.2" x 1.25" x .62" (132.4mm x 32.2mm x 15.7mm)

FS-505C Low Voltage Ultrasonic Fixture Sensor



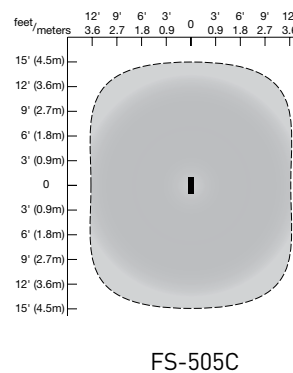
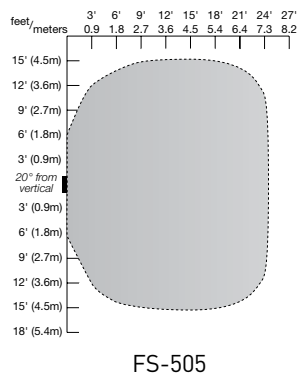
Voltage	24VDC
Current Consumption	43mA
Power Supply	FS-PP Fixture Power Pack
Time Delay	5-30 minutes
Coverage at 8' ht.	30' x 24' (457.2 x 365.7cm)
Operating Temp	32-131°F (0-55°C)
Color	White
Dimensions*	5.2" x 1.25" x .62" (132.4mm x 32.2mm x 15.7mm)

Applications

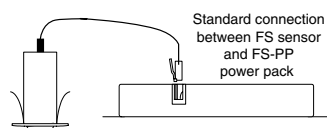


Wiring & Coverage

Coverage Patterns @ 8 ft Mounting Height



FS Low Voltage Wiring Example



Ordering Information

Catalog No.	Description
<input type="checkbox"/> FS-505	Low Voltage Ultrasonic Fixture Occupancy Sensor for Stairway Applications; 24 VDC fixture mount
<input type="checkbox"/> FS-505C	Low Voltage Ultrasonic Fixture Occupancy Sensor for Open Areas; 24 VDC fixture mount
<input type="checkbox"/> FS-PPv2	Fixture Power Pack 120/277 VAC; 60Hz

NOTE: All FS Low Voltage Sensors require an FS-PP or other WattStopper Power Pack (ordered separately) to operate.