

PROJECT :
TYPE :
ORDERING # :
COMMENTS :

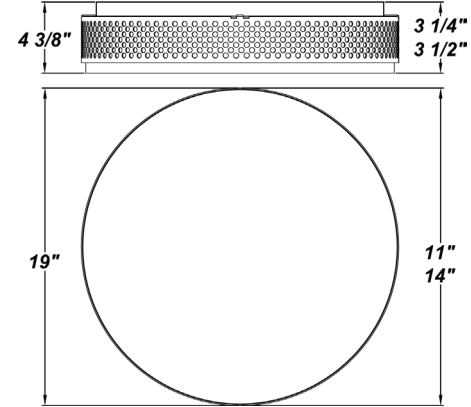
## EAGLE PRF



COMPACT FLUORESCENT

## FEATURES

- Steel Mounting Pan w/ Hi-Reflectance White Powder Coat Finish
- Steel Perforated Collar w/ Matte Silver Powder Coat Finish
- Luminous White Acrylic Diffuser
- Mounts Directly to 4" Junction Box (By Others)
- Mounting Hardware Included
- Lamps Included
- Integral EM Battery Available (14" & 19" Fixtures Only) (Back Box Required)  
(14" Back Box Adds 2 1/8" in Depth)  
(19" Back Box Adds 2 1/4" In Depth)  
(Slotted Back Box For 19" Fixtures Only)  
(Damp Location Only)
- ADA Compliant (11" & 14" Fixtures Only)
- Wet Location For Wall or Ceiling Mount
- Damp Location For Wall or Ceiling Mount w/ EBW/BB Option



**Please Note:** For Mount Pan Finishes, Contact Factory For Ordering Code And Pricing

## ORDERING INFORMATION

Example : (EE - PRF - F226Q - 120E - SM - 35K)

Matte Silver is Standard Finish

PRODUCT	SOURCE/WATTAGE	VOLTAGE	DIFFUSER	TRIM FINISH	OPTIONS
<b>Eagle PRF 11" Fixture (10" Housing)</b>	F113 - (1) 13W PL 2-Pin Biax Magnetic (120V Only) F213 - (2) 13W PL 2-Pin Biax Magnetic (120V Only) F113Q - (1) 13W QE F213Q - (2) 13W QE F118Q - (1) 18W QE F126Q - (1) 26W QE	120N - 120V NPF Magnetic 120E - Electronic 120V 277E - Electronic 277V 347E - Electronic 347V  <b>NOTE: 277V Magnetic NOT Available</b>	WAL - White Acrylic (Standard) WPL - White Polycarbonate	WH - Gloss White (Standard) SM - Matte Silver TB - Textured Black AC - Antique Copper AS - Antique Silver BT - Bronze Mist CP - Copper SN - Sand SW - Swedish Steel BZ - Textured Bronze TW - Textured White  RAL Colors or Custom Match - Consult Factory	41K - 4100K Color Temp. (Not Available for T5 Circ) 35K - 3500K Color Temp. 30K - 3000K Color Temp. (Standard for 22W & 40W T5 Circ) 27K - 2700K Color Temp. (Standard) (Not Available for T5 Circ) F - Fused (Not Available For 347V) TP - Tamper Resistant Screws DIM - Dimming Ballast * (QE Electronic Only) EBR - Remote Mount Battery (Field Installed)** EBW/BB - Integral Emergency Battery** (Back Box Required) BB - Back Box for 14" or 19" Fixture W2L - Wire 2 Lamps to Integral Emergency Battery (2x18W Max) ALP - Aluminum Mount Pan MSP - Program Start Ballast (Recommended for Motion Sensor) ***
<b>Eagle PRF 14" Fixture (12" Housing)</b>	F122CE - (1) 22W T5 Circ F218Q - (2) 18W QE F226Q - (2) 26W QE	120N - 120V NPF Magnetic 120E - Electronic 120V 277E - Electronic 277V 347E - Electronic 347V			
<b>Eagle PRF 19" Fixture (17" Housing)</b>	F140CE - (1) 40W T5 Circ F313 - (3) 13W PL 2-Pin Biax Magnetic (120V/19" Only) F413Q - (4) 13W QE F326Q - (3) 26W QE F162CE - (1) 22/40W T5 Circ	120E - Electronic 120V 277E - Electronic 277V 347E - Electronic 347V			

## REPLACEMENT PARTS

## PART NO.

11" White Acrylic Diffuser	3011360
14" White Acrylic Diffuser	3011560
19" White Acrylic Diffuser	3011960
10" White Polycarbonate Diffuser	3411160
14" White Polycarbonate Diffuser	3411660
19" White Polycarbonate Diffuser	3412060

We reserve the right to revise the design or components of any product due to parts availability or change in UL standards, without assuming any obligation or liability to modify any products previously manufactured, and without notice.

## NOTES

### \*Fluorescent Only

### \*\*Emergency Battery Options

Initial light output in Emergency mode will last for a minimum of 90 minutes. 1 lamp wired unless ordered otherwise. The following are suitable for indoor and damp locations. Please refer to Bodine's specification sheet

- EBW:** Bodine's B213 (Magnetic) - Temperature Rating (Ambient) 32° F - 122° F  
Bodine's B94G (Electronic) - Temperature Rating (Ambient) 32° F - 131° F  
**EBR:** Bodine's B94CG (Electronic) - Temperature Rating (Ambient) 32° F - 122° F  
Bodine's B413 (Magnetic) - Temperature Rating (Ambient) 32° F - 122° F

ARRA 2009



**Please Note:** For Mount Pan Finishes, Contact Factory For Ordering Code And Pricing

\*\*\* For Electronic Wattage Fixtures Being Used in Conjunction With an Occupancy Sensor (Either Provided by us, or Your Own System), a Program Start Ballast is Recommended in Order to Maximize Lamp Life.