

**EAGLE PRF LED**



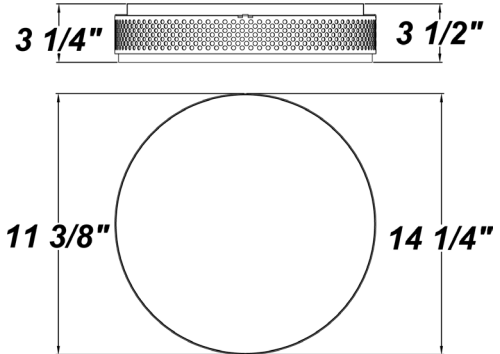
PROJECT :
TYPE :
ORDERING # :
COMMENTS :

**FEATURES**

- Aluminum Mounting Pan w/ Hi-Reflectance White Powder Coat Finish
- Luminous White Acrylic Diffuser
- Mounts Directly to 4" Junction Box (By Others)
- Mounting Hardware Included
- ADA Compliant
- CSA Listed Damp Location Wall & Ceiling (Ceiling only w/Back Box)
- 120V is Energy Star Certified
- 120V 350mA Drivers Are Dimmable
- 277V 350mA Drivers Are Not Dimmable
- IES Files Available

**DIMMING FEATURES**

- Dimmable to <5% (Except For ZE1050)
- ZE1050 Dimmable to <5% at 0V or 10% at 1V
- Dimmable With Either Triac or Electronic Dimmers
- Over-Current, Over-Voltage, and Short Circuit Protection
- Constant Current For Highest Efficacy
- UL Class 2 Driver - Power Factor >.90
- Estimated 50,000 Hours Life (L70)



**Please Note:** For Mount Pan Finishes, Contact Factory For Ordering Code And Pricing

**ORDERING INFORMATION**

Example : (EE - PRF - L12.5 - 120V - WAL - SM - 30K)

Matte Silver is Standard Finish

PRODUCT	SOURCE/WATTAGE	VOLTAGE	DIFFUSER	FINISH	OPTIONS
Eagle PRF 11" Fixture	L12.5 - (36) LED Array	120V - 120V 277V - 277V  (50 / 60Hz)	WAL - White Acrylic (Standard) WLL - White Acrylic Formulated For LED Fixtures (11" & 14" Fixtures Only) WPL - White Polycarbonate	WH - Gloss White (Standard) SM - Matte Silver TB - Textured Black AC - Antique Copper AS - Antique Silver BT - Bronze Mist CP - Copper SN - Sand SW - Swedish Steel BZ - Textured Bronze TW - Textured White  RAL Colors or Custom Match - Consult Factory	27K - 2700K Color Temperature 30K - 3000K Color Temperature 35K - 3500K Color Temperature 40K - 4000K Color Temperature MS - MSI-FM105 120/277V MIV - 20 Watt Micro-Inverter (Remote) TP - Tamper-Proof Screw Set F - Fused EB/BB - Bodine BSL26 - Up to 5.1W Emergency Illumination With LEDs (Back Box Required) (14" Fixture Only) - AC Mode 960 Lumens - Battery @ 1 second = 322 Total Lumens - Battery @ 90 Minutes = 291 Total Lumens (Please Specify Voltage) BB - Back Box for 14" Fixture
Eagle PRF 14" Fixture	L25.0 - (72) LED Array				See Pg. 2 For Wattage Specifications

REPLACEMENT PARTS	PART NO.
11" White Acrylic Diffuser	3011360
14" White Acrylic Diffuser	3011560

**NOTES**

We reserve the right to revise the design or components of any product due to parts availability or change in UL standards, without assuming any obligation or liability to modify any products previously manufactured, and without notice.

ARRA 2009



BUY AMERICA ACT Compliant



PROJECT :
TYPE :
ORDERING # :
COMMENTS :

PRODUCT	SOURCE/WATTAGE	27K SPECIFICATIONS	30K SPECIFICATIONS	35K SPECIFICATIONS	40K SPECIFICATIONS
<b>Eagle PRF 11" Fixture</b>	<b>L12.5</b> - (36) LED Array - Constant Current @350mA - 12.5 Input Watts  50,000 Hours(L70)	<b>12.5W LED ARRAY</b> <b>27K</b> - 2700K Color Temp.  - 80 CRI Typ. - 1046 LED Lumens (776 Fixture Lumens) - Estimated 62 Lumens Per Watt	<b>12.5W LED ARRAY</b> <b>30K</b> - 3000K Color Temp.  - 80 CRI Typ. - 1090 LED Lumens (808 Fixture Lumens) - Estimated 65 Lumens Per Watt	<b>12.5W LED ARRAY</b> <b>35K</b> - 3500K Color Temp.  - 80 CRI Typ. - 1124 LED Lumens (833 Fixture Lumens) - Estimated 67 Lumens Per Watt	<b>12.5W LED ARRAY</b> <b>40K</b> - 4000K Color Temp.  - 80 CRI Typ. - 1133 LED Lumens (840 Fixture Lumens) - Estimated 67 Lumens Per Watt
<b>Eagle PRF 14" Fixture</b>	<b>L25.0</b> - (72) LED Array - Constant Current @350mA - 25.0 Input Watts  50,000 Hours(L70)	<b>25.0W LED ARRAY</b> <b>27K</b> - 2700K Color Temp.  - 80 CRI Typ. - 2078 LED Lumens (1452 Fixture Lumens) - Estimated 58 Lumens Per Watt	<b>25.0W LED ARRAY</b> <b>30K</b> - 3000K Color Temp.  - 80 CRI Typ. - 2165 LED Lumens (1513 Fixture Lumens) - Estimated 61 Lumens Per Watt	<b>25.0W LED ARRAY</b> <b>35K</b> - 3500K Color Temp.  - 80 CRI Typ. - 2233 LED Lumens (1560 Fixture Lumens) - Estimated 62 Lumens Per Watt	<b>25.0W LED ARRAY</b> <b>40K</b> - 4000K Color Temp.  - 80 CRI Typ. - 2250 LED Lumens (1572 Fixture Lumens) - Estimated 63 Lumens Per Watt

ARRA 2009



BUY AMERICA ACT Compliant