

PROJECT :
TYPE :
ORDERING # :
COMMENTS :

**LEHMAN LED**

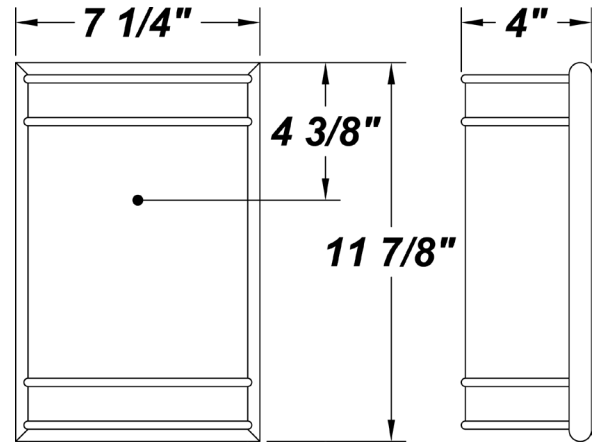


**FEATURES**

- Steel Mounting Pan w/ Hi-Reflectance White Powder Coat Finish
- White Acrylic Lens w/ Matte Chrome Resin Trim Accents
- Open Top & Bottom
- Mounts Directly to 4" Junction Box (By Others)
- Mounting Hardware Included
- CSA Listed Dry Location For Wall Mounting
- Awaiting IES Files, DLC, Lighting Facts, And Title 24 Labeling / Certification
- 120V Drivers Are Dimmable
- 277V Drivers Are Not Dimmable
- Dry Location
- ADA Compliant

**DIMMING FEATURES**

- Dimmable to <5%
- Dimmable With Either Triac or Electronic Dimmers
- Over-Current, Over-Voltage, and Short Circuit Protection
- Constant Current at 350 Milliamps
- UL Class 2 Driver - Power Factor >.90
- Estimated 50,000 Hours Life (L70)



**ORDERING INFORMATION**

Example : (LN- L12.5 - 120V - CM - 40K)

Matte Chrome is Standard Finish

PRODUCT	SOURCE/WATTAGE	VOLTAGE	DIFFUSER	FINISH	OPTIONS
Lehman	L12.5 - (1) 12.5W (40) LED Module	120V - 120V 277V - 277V  (50 / 60Hz)	Not Applicable	CM - Matte Chrome	<p><b>One 12.5W Module Lumen Output</b></p> <p><b>30K</b> - 3000K Color Temperature (1195 Total Module Lumens = 95.6 Lumens Per Watt)</p> <p><b>35K</b> - 3500K Color Temperature (1231 Total Module Lumens = 98.5 Lumens Per Watt)</p> <p><b>40K</b> - 4000K Color Temperature (1255 Total Module Lumens = 100.4 Lumens Per Watt)</p> <p>F - Fused</p>

REPLACEMENT PARTS	PART NO.
White Acrylic Lens w/ Matte Chrome Trim	3070767

**NOTES**

We reserve the right to revise the design or components of any product due to parts availability or change in UL standards, without assuming any obligation or liability to modify any products previously manufactured, and without notice.

ARRA 2009



BUY AMERICA ACT Compliant