

COPPER CREEK

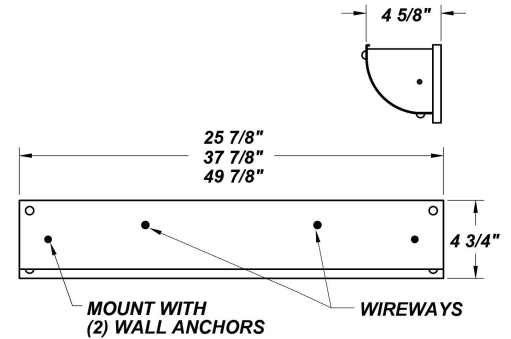


LINEAR FLUORESCENT

PROJECT :
TYPE :
ORDERING # :
COMMENTS :

FEATURES

- Steel Housing with Brushed Nickel Plate Powder Coat Finish
- Steel Trim & Accents with Brushed Nickel Plate Powder Coat Finish
- Matte White Acrylic Diffuser
- Mounts Directly to Surface w/ Two Wall Anchors (Not Included)
- CSA Listed Damp Location For Surface Mount
- Lamps Not Included



ORDERING INFORMATION

Example : (CK24217E - 120E - AC)

Brushed Nickel Plate is Standard Finish

PRODUCT	SOURCE/WATTAGE	VOLTAGE	DIFFUSER	FINISH	OPTIONS
CK24 (24" Fixture)	CK24117E - (1) 17W T8	120E - 120V Electronic	Not Applicable	BN - Brushed Nickel Plate SM - Matte Silver TB - Textured Black AC - Antique Copper AS - Antique Silver BT - Bronze Mist SN - Sand SW - Swedish Steel BZ - Textured Bronze TW - Textured White	F - Fused (Not Available For 347V) DIM - Dimming Ballast (T8 Lamping Only) MSP - Program Start Ballast (Recommended for Motion Sensor) ***
	CK24217E - (2) 17W T8	277E - 277V Electronic			
	CK24214E - (2) 14W T5	347E - 347V Electronic			
	CK24224E - HO* - (2) 24W T5				
CK36 (36" Fixture)	CK36125E - (1) 25W T8	120E - 120V Electronic	Not Applicable	BN - Brushed Nickel Plate SM - Matte Silver TB - Textured Black AC - Antique Copper AS - Antique Silver BT - Bronze Mist SN - Sand SW - Swedish Steel BZ - Textured Bronze TW - Textured White	F - Fused (Not Available For 347V) DIM - Dimming Ballast (T8 Lamping Only) MSP - Program Start Ballast (Recommended for Motion Sensor) ***
	CK36225E - (2) 25W T8	277E - 277V Electronic			
	CK36221E - (2) 21W T5	347E - 347V Electronic			
	CK36239E - HO* - (2) 39W T5				
CK48 (48" Fixture)	CK48132E - (1) 32W T8	120E - 120V Electronic	Not Applicable	BN - Brushed Nickel Plate SM - Matte Silver TB - Textured Black AC - Antique Copper AS - Antique Silver BT - Bronze Mist SN - Sand SW - Swedish Steel BZ - Textured Bronze TW - Textured White	F - Fused (Not Available For 347V) DIM - Dimming Ballast (T8 Lamping Only) MSP - Program Start Ballast (Recommended for Motion Sensor) ***
	CK48232E - (2) 32W T8	277E - 277V Electronic			
	CK48228E - (2) 28W T5	347E - 347V Electronic			
	CK24254E - HO* - (2) 54W T5				
		*HO - High Output			

REPLACEMENT PARTS

PART NO.

24" White Acrylic Diffuser	3017560
36" White Acrylic Diffuser	3017660
48" White Acrylic Diffuser	3006060

NOTES

We reserve the right to revise the design or components of any product due to parts availability or change in UL standards, without assuming any obligation or liability to modify any products previously manufactured, and without notice.



*** For Electronic Wattage Fixtures Being Used in Conjunction With an Occupancy Sensor (Either Provided by us, or Your Own System), a Program Start Ballast is Recommended in Order to Maximize Lamp Life.