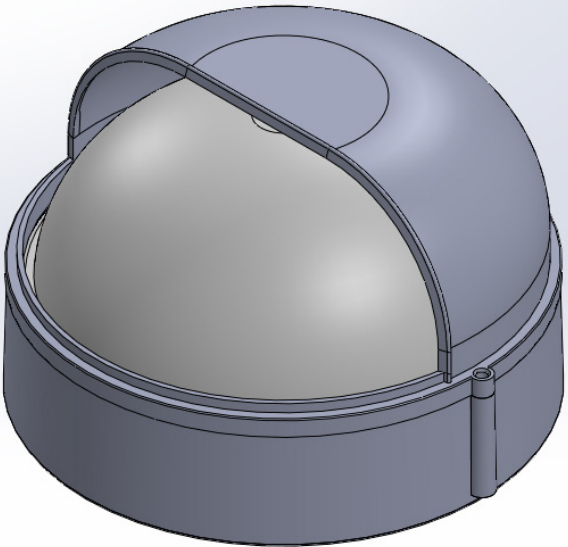


PROJECT :
TYPE :
ORDERING # :
COMMENTS :

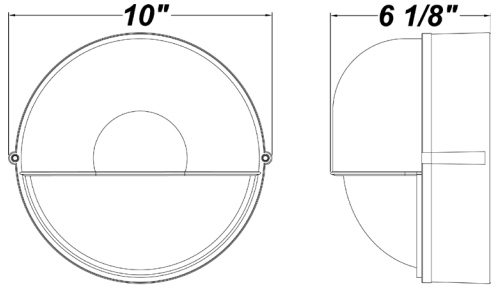
BIRDIE CAST ROUND LED



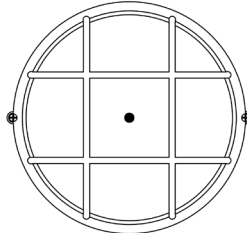
**Optional Eye
EYE**

FEATURES

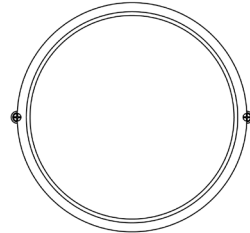
- Die-Cast Aluminum Housing w/ Matte White Polyester Powder Coat Finish
- Die-Cast Aluminum Grill (Standard) w/ Matte White Polyester Powder Coat Finish
- White Polycarbonate Lens
- Front & Back Gasketing
- Stainless Steel Housing Screws
- Mounts Directly to 4" Junction Box (By Others)
- Mounting Hardware Included
- Vandal Resistant
- Integral Emergency Driver Available (Damp Location Only) (Wall Mount Only)
- CSA Listed Wet Location



**Standard Grill
GRL**



**Optional Ring
RNG**



ORDERING INFORMATION

Example : (BEC - L13.0 - 120-277V - GRL - 350mA - FGL - TB - 40K)

PRODUCT	SOURCE/WATTAGE	VOLTAGE	FASCIA	DRIVERS	DIFFUSER	FINISH	OPTIONS
Birdie CA Round	L13.0 - (1) 13W LED Module	120 - 277V (50 / 60Hz)	GRL - Grill (Standard) RNG - Ring EYE - Eye	LE350 - 350mA Phase Dimming Driver (Dimmable @ 120V Only) (Dimmable to 10%) 350mA - 350mA Constant Current Driver	WPL - White Polycarbonate (Standard) FGL - Frosted Glass Lens (Not Vandal Resistant)	WH - Matte White (Standard) SM - Matte Silver TB - Textured Black AC - Antique Copper AS - Antique Silver BT - Bronze Mist CP - Copper SN - Sand SW - Swedish Steel BZ - Textured Bronze TW - Textured White RAL Colors or Custom Match - Consult Factory	30K - 3000K Color Temp. 35K - 3500K Color Temp. 40K - 4000K Color Temp. TP - Tamper Resistant Screws PCL120 - Photocell 120V PCL277 - Photocell 277V SP - Surge Protector EB - 5W LED Emergency Driver (Wall Mount Only) FGL - Frosted Borosilicate Glass Lens

REPLACEMENT PARTS PART NO. NOTES

Frosted Glass Lens	3700862
White Polycarbonate Lens	3403960
Birdie CA GRL Fascia	5510599
Birdie CA EYE Fascia	5510199
Birdie CA RNG Fascia	5509999
(Please Specify Color of Fascia When Ordering)	

We reserve the right to revise the design or components of any product due to parts availability or change in UL standards, without assuming any obligation or liability to modify any products previously manufactured, and without notice.





PROJECT :
TYPE :
ORDERING # :
COMMENTS :

PRODUCT	SOURCE/WATTAGE	30K SPECIFICATIONS	35K SPECIFICATIONS	40K SPECIFICATIONS
Birdie CA LED	L13.0 - (13)W LED Module	L13.0 - One 13W LED Module 30K - 3000K Color Temp. - 37.2 fV, Color Temp = 3000K Nominal - Constant Current 350 Milliamps Driver - 13W Nominal Output = 1614 LED Lumens - Estimated 80.7 Lumens Per Watt	L13.0 - One 13W LED Module 35K - 3500K Color Temp. - 37.2 fV, Color Temp = 3500K Nominal - Constant Current 350 Milliamps Driver - 13W Nominal Output = 1662 LED Lumens - Estimated 127.8 Lumens Per Watt	L13.0 - One 13W LED Module 40K - 4000K Color Temp. - 37.2 fV, Color Temp = 4000K Nominal - Constant Current 350 Milliamps Driver - 13W Nominal Output = 1711 LED Lumens - Estimated 131.6 Lumens Per Watt

ARRA 2009



BUY AMERICA ACT Compliant c US