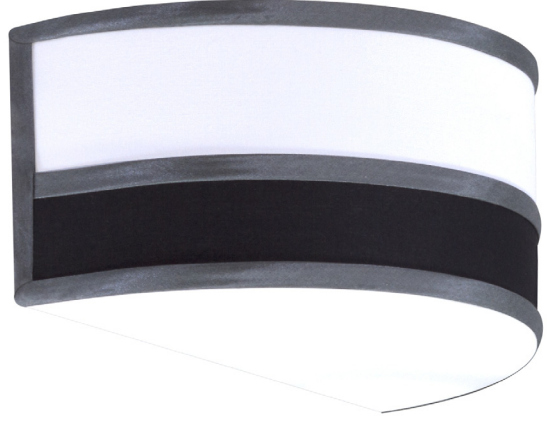


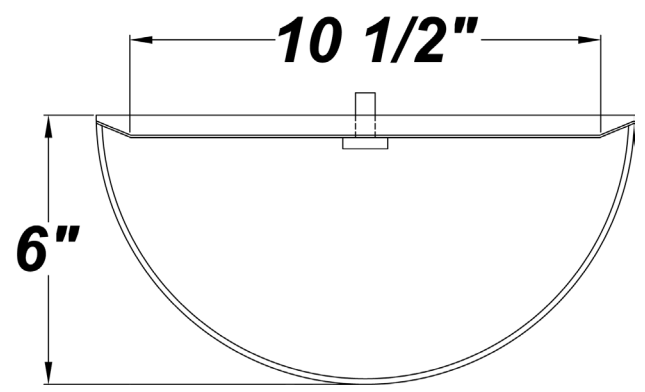
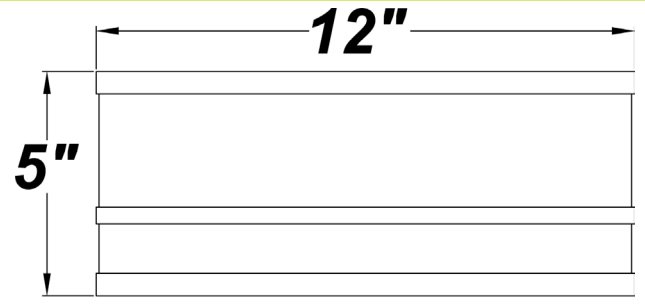
| |
|--------------|
| PROJECT : |
| TYPE : |
| ORDERING # : |
| COMMENTS : |

12" MULTI-COLOR SCONCE

FEATURES



- Steel Trim w/ Satin Nickel Finish
- White Butcher Linen Top Shade w/ Silver Organza Bottom Shade
- Mounting Hardware Included
- 2 Candelabra Base Sockets
- For Use With Incandescent, Compact Fluorescent, or LED Screw-In Lamp (Lamp Not Included)
- Use Lamping up to:
 - 27W Candelabra Incandescent
- Dry Location



ORDERING INFORMATION

Example : (WF-6790 - 115-01 - 246 - SN - WBL) White Butcher Linen w/ Black Butcher Linen is Standard

| PRODUCT | TOP SHADE | | STYLE | TRIM FINISH | BOTTOM SHADE | OPTIONS |
|-----------------------------|----------------------------------|-------------------------------------|------------------------------|---|----------------------------------|----------------|
| Sconce & Hardware (WF-6790) | 151-56 - Gold Organza | 151-97 - Silver Organza | 246 - 12" Multi-Color Sconce | SN - Satin Nickel (Standard) OB - Oil Brushed Bronze | GO - Gold Organza | Not Applicable |
| | 115-01 - White Butcher Linen | 115-62 - Black Butcher Linen | | | SO - Silver Organza | |
| | 115-96 - Red Butcher Linen | 115-05 - Off White Butcher Linen | | | WBL - White Butcher Linen | |
| | 174-25 - Chocolate Silk Shantung | 136-33 - Oyster Silksheen | | | BBL - Black Butcher Linen | |
| | 146-13 - Buff Odyssey | 180-05 - Camelot Off-White Hardback | | | RBL - Red Butcher Linen | |
| | 160-04 - Natural Bombay | | | | OBL - Off White Butcher Linen | |
| | | | | | CSS - Chocolate Silk Shantung | |
| | | | | | OS - Oyster Silksheen | |
| | | | | | BO - Buff Odyssey | |
| | | | | | COH - Camelot Off-White Hardback | |
| | | | | | NB - Natural Bombay | |



NOTES

We reserve the right to revise the design or components of any product due to parts availability or change in UL standards, without assuming any obligation or liability to modify any products previously manufactured, and without notice.