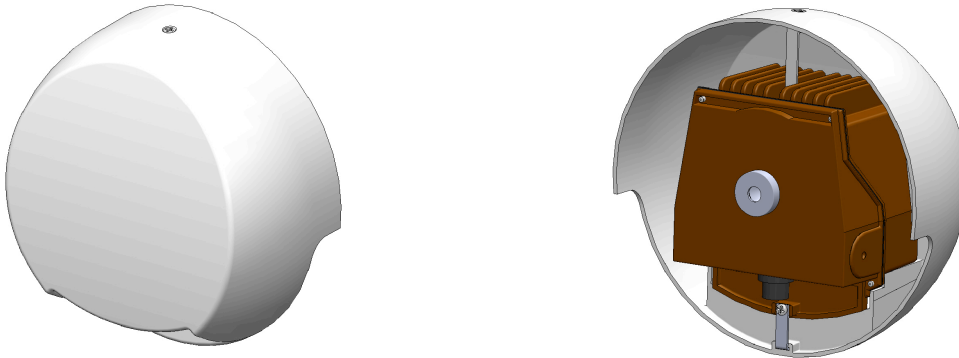




INSTALLATION & MAINTENANCE INSTRUCTIONS
FOR THE
DREXEL - LED
Wall Mounted Luminaire

76119 REV.1

NOTE: THIS PRODUCT MUST BE INSTALLED IN ACCORDANCE WITH THE APPLICABLE LOCAL & NATIONAL ELECTRICAL CODES BY A PERSON FAMILIAR WITH THE CONSTRUCTION AND FAMILIAR WITH THE OPERATION OF THE PRODUCT AND HAZARDS INVOLVED.



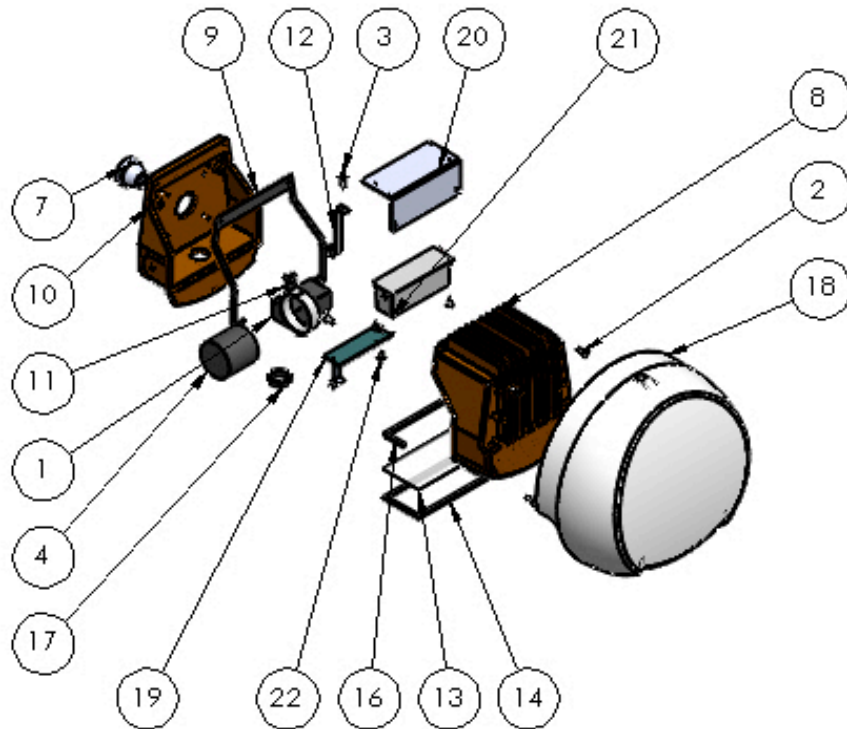
INSTALLATION

1. Remove any excess packing from the fixture.
2. This fixture is designed to be mounted to a junction box (supplied by customer), or directly to wall anchors - alternate method. Open the housing assembly by removing (3) 8-32 X .312 flat head self threading screws.
Prepare the back of the housing for mounting by drilling the appropriate diagonal holes to match the j-box pattern or alternate pattern.
3. Line up the back of the housing in desired location, completely covering junction box and mount securely to the junction box with (2) 8-32 X 1" pan head screws.
4. Complete the wiring to the power source and ground.
the Black as Line; White as Common; Bare/Green as Ground.
Wire connections to be made inside of housing.
5. Reassemble the 2 housing halves with the (4) 6-32 X .312 screws. Attach the front fascia to the housing assembly using the 8-32 X .500 flat head self threading screw.
6. Outdoor wall fixtures must be caulked with a suitable waterproof sealant across the top, and at least "half way" down each side of the fixture to properly seal it to the mounting surface. A small space should be open at the bottom for excess moisture runoff.

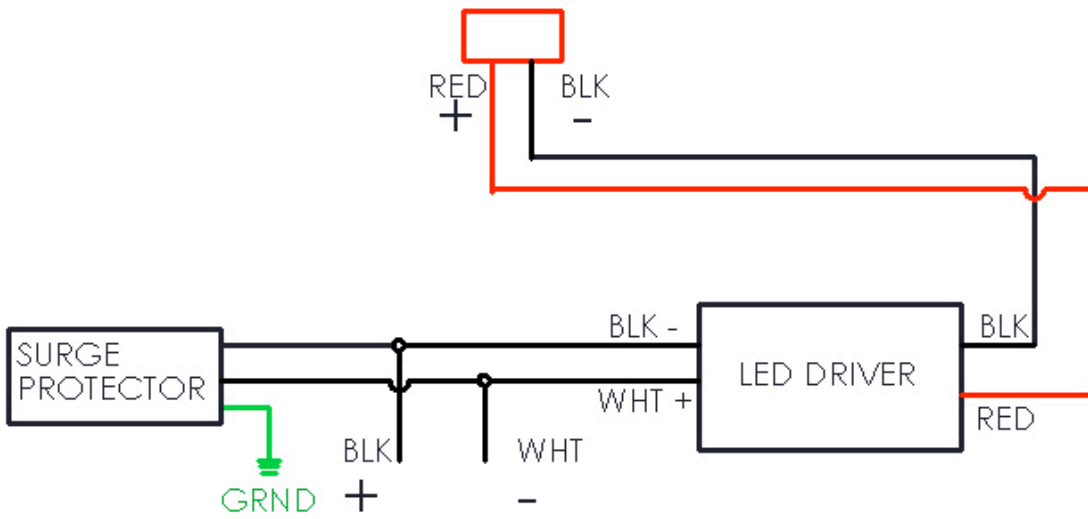
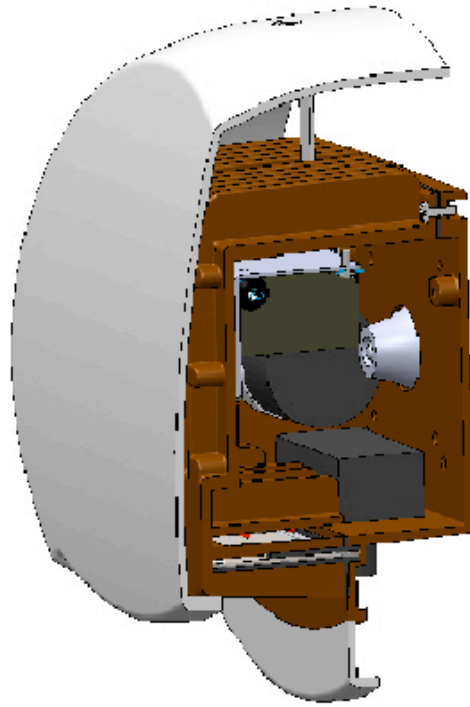
MAINTENANCE

DO NOT use cleansers containing bleach.
The metal portion of the fixture can be wiped clean as needed using a mild soap solution.

ATTENTION: Avoid moving any exposed wires. If any wires are accidentally disconnected, call a professional to repair.



ITEM NO.	PART NUMBER	QTY.
1	19015-PHOTO CELL	1
2	6-32X375 PH SELF TAPPING SCREW	8
3	8-32X.375 FL SCREW	1
4	19119-SURGE SUPP-BPS3-TR	1
5	RLR210 RND FACIA CLIP BOTTOM	1
6	6-32X250 PH SELF TAPPING SCREW	1
7	85061 - BUSHING-HEYCO WATER TIGHT-4017	1
8	6048103A-RLR118PL-HSG COMP-PL	1
9	RLR119 HSG GSKT-ALT-PL-V 2.1-1-24-2015	1
10	6048103B-RLR117 CVR PL	1
11	RLR104 SURGE BRKT1A-5-05-2013	1
12	RLR209-REV 3-RND FACIA CLIP-10-26-2013	1
13	RLR106-LENS, ACRYLIC	1
14	RLR115-GASKET, LENS PART-A	1
15	RLR114-GASKET, LENS PART B	1
16	RLR116-GASKET, LENS PART C	2
17	19015A-PC NUT	1
18	554103-RLR202 REV 2- RND CVR	1
19	19249-PL LED MODULE	1
20	RLR121PL-DRVR BRKT	1
21	19250-PS18-350C-DIM-DRVR	1
22	4-40x.250 PH SCREW	4



WIRING DIAGRAM