

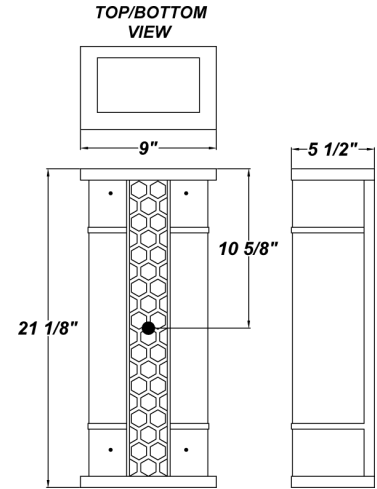
ALLEGRO W HCB LED



PROJECT :
TYPE :
ORDERING # :
COMMENTS :

FEATURES

- Aluminum Housing w/ Textured Black Polyester Powder Coat Finish
- Aluminum End Caps & Trim Bars w/ Textured Black Polyester Powder Coat Finish
- Aluminum Mount Pan w/ Hi-Reflectance White Powder Coat Finish
- Luminous White Acrylic Wrap-Around Diffuser
- Luminous White Acrylic Top and Bottom Lens Panels
- Mounts Over 4" Junction Box w/ Easy-hang Wall Mounting Plate (Included)
- CSA Approved For Wet Location For Vertical Mounting



ORDERING INFORMATION

Example : (ALLW-HCB - L38.0 - 120 - 277V - ZE1400 - WAL - TB - 35K)

Textured Black is Standard Finish

PRODUCT	SOURCE/WATTAGE	VOLTAGE	DRIVER OPTIONS	DIFFUSER	FINISH	OPTIONS
Allegro W HCB (ALLW-HCB)	L38.0 - (4) 8.1W (18) LED Modules & (4) 4.1W (9) LED Modules	120 - 277V (50 / 60Hz)	TE1400 - 60W @ 1400mA ELV Constant Current Dimming Electronic Driver (For L38)	WAL - White Acrylic Lens	SM - Matte Silver TB - Textured Black AC - Antique Copper AS - Antique Silver BT - Bronze Mist CP - Copper SN - Sand SW - Swedish Steel BZ - Textured Bronze TW - Textured White	30K - 3000K Color Temperature 35K - 3500K Color Temperature 40K - 4000K Color Temperature F - Fused
	L31.0 - (3) 8.1W (18) LED Modules & (3) 4.1W (9) LED Modules		ZE1400 - 50W @ 1400mA Constant Current Dimming Electronic Driver (Dimmable 0-10V) (For L38)			
	L24.0 - (2) 8.1W (18) LED Modules & (2) 4.1W (9) LED Modules		ZE1150 - 44W @ 1150mA Constant Current Dimming Electronic Driver (Dimmable 0-10V) (For L31)			
	L19.0 - (2) 8.1W (18) LED Modules & (2) 4.1W (9) LED Modules		ZE875 - 33W @ 875mA Constant Current Dimming Electronic Driver (Dimmable 0-10V) (For L24)			
	L70 life time for 50,000hr		ZE700 - 30W @ 700mA Constant Current Dimming Electronic Driver (Dimmable 0-10V) (For L19)		RAL Colors or Custom Match - Consult Factory	

REPLACEMENT PARTS PART NO.

White Acrylic Lens Assembly 9801460

NOTES

We reserve the right to revise the design or components of any product due to parts availability or change in UL standards, without assuming any obligation or liability to modify any products previously manufactured, and without notice.

ARRA 2009



BUY AMERICA ACT C US



PROJECT :
TYPE :
ORDERING # :
COMMENTS :

PRODUCT	SOURCE/WATTAGE	30K SPECIFICATIONS	35K SPECIFICATIONS	40K SPECIFICATIONS
Allegro W HCB (ALLW-HCB)	L38 - (4) 8.1W (18) LED Module & (4) 4.1W (9) LED Module	<p>L38</p> <p>30K - 3000K Color Temp.</p> <ul style="list-style-type: none"> - 27 fV, Color Temp = 3000K Nominal - Constant Current 1400 Milliamps Driver - 40W Input = 4651 LED Lumens - Estimated 116 Lumens Per Watt <p>- Constant Current 1400 Milliamps Driver</p> <ul style="list-style-type: none"> - 48W Input = 5208 LED Lumens - Estimated 109 Lumens Per Watt 	<p>L38</p> <p>35K - 3500K Color Temp.</p> <ul style="list-style-type: none"> - 24 fV, Color Temp = 3500K Nominal - Constant Current 1400 Milliamps Driver - 40W Input = 4749 LED Lumens - Estimated 119 Lumens Per Watt <p>- Constant Current 1400 Milliamps Driver</p> <ul style="list-style-type: none"> - 48W Input = 5317 LED Lumens - Estimated 111 Lumens Per Watt 	<p>L38</p> <p>40K - 4000K Color Temp.</p> <ul style="list-style-type: none"> - 24 fV, Color Temp = 4000K Nominal - Constant Current 1400 Milliamps Driver - 40W Input = 4896 LED Lumens - Estimated 122 Lumens Per Watt <p>- Constant Current 1400 Milliamps Driver</p> <ul style="list-style-type: none"> - 48W Input = 5482 LED Lumens - Estimated 114 Lumens Per Watt
	L31 - (3) 8.1W (18) LED Module & (3) 4.1W (9) LED Module	<p>L31</p> <p>30K - 3000K Color Temp.</p> <ul style="list-style-type: none"> - 27 fV, Color Temp = 3000K Nominal - Constant Current 1150 Milliamps Driver - 39W Input = 4125 LED Lumens - Estimated 106 Lumens Per Watt 	<p>L31</p> <p>35K - 3500K Color Temp.</p> <ul style="list-style-type: none"> - 24 fV, Color Temp = 3500K Nominal - Constant Current 1150 Milliamps Driver - 39W Input = 4212 LED Lumens - Estimated 108 Lumens Per Watt 	<p>L31</p> <p>40K - 4000K Color Temp.</p> <ul style="list-style-type: none"> - 24 fV, Color Temp = 4000K Nominal - Constant Current 1150 Milliamps Driver - 39W Input = 4342 LED Lumens - Estimated 111 Lumens Per Watt
	L24 - (2) 8.1W (18) LED Module & (2) 4.1W (9) LED Module	<p>L24</p> <p>30K - 3000K Color Temp.</p> <ul style="list-style-type: none"> - 27 fV, Color Temp = 3000K Nominal - Constant Current 875 Milliamps Driver - 30W Input = 3180 LED Lumens - Estimated 106 Lumens Per Watt 	<p>L24</p> <p>35K - 3500K Color Temp.</p> <ul style="list-style-type: none"> - 24 fV, Color Temp = 3500K Nominal - Constant Current 875 Milliamps Driver - 30W Input = 3247 LED Lumens - Estimated 108 Lumens Per Watt 	<p>L24</p> <p>40K - 4000K Color Temp.</p> <ul style="list-style-type: none"> - 24 fV, Color Temp = 4000K Nominal - Constant Current 875 Milliamps Driver - 30W Input = 3347 LED Lumens - Estimated 112 Lumens Per Watt
	L19 - (2) 8.1W (18) LED Module & (2) 4.1W (9) LED Module	<p>L19</p> <p>30K - 3000K Color Temp.</p> <ul style="list-style-type: none"> - 27 fV, Color Temp = 3000K Nominal - Constant Current 700 Milliamps Driver - 22W Input = 2489 LED Lumens - Estimated 113 Lumens Per Watt 	<p>L19</p> <p>35K - 3500K Color Temp.</p> <ul style="list-style-type: none"> - 24 fV, Color Temp = 3500K Nominal - Constant Current 700 Milliamps Driver - 22W Input = 2541 LED Lumens - Estimated 116 Lumens Per Watt 	<p>L19</p> <p>40K - 4000K Color Temp.</p> <ul style="list-style-type: none"> - 24 fV, Color Temp = 4000K Nominal - Constant Current 700 Milliamps Driver - 22W Input = 2620 LED Lumens - Estimated 119 Lumens Per Watt

ARRA 2009



BUY AMERICA ACT