

PROJECT :
TYPE :
ORDERING # :
COMMENTS :

**BARTON CREEK LED**

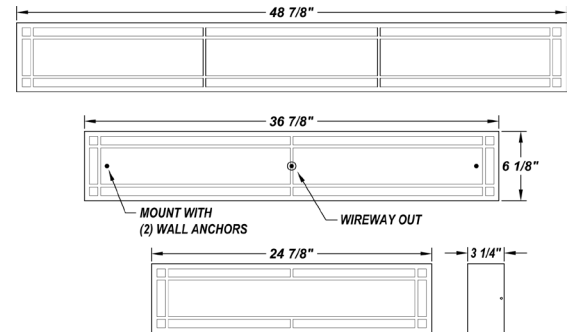


**FEATURES**

- Steel Housing w/ Swedish Steel Powder Coat Finish
- Steel Mounting Pan w/ Hi-Reflectance White Powder Coat Finish
- Luminous White Acrylic Panels
- Steel Reflector w/ Hi-Reflectance White Powder Coat Finish
- Mounts Directly to Surface w/ Two Wall Anchors (Not Included)
- ADA Compliant
- CSA Listed Damp Location For Wall or Ceiling Mounting
- Awaiting IES Files, Lighting Facts, & Title 24 Labeling / Certification

**LED FEATURES**

- ELV Driver - Over-Voltage, Over-Current, and Short-Circuit Protection w/ Auto Recovery
- Constant Current, Dimmable to 10% From 120V to 230V



**ORDERING INFORMATION**

Example : (BT24 - L20.6 - 100-277V - ZE1100 - WLL - BZ - 35K) Matte Silver is Standard Finish

PRODUCT	SOURCE/WATTAGE	VOLTAGE	DRIVER OPTIONS	DIFFUSER	FINISH	OPTIONS
BT24 (24" Fixture)	L20.6 - 20.6W LED Strip(s) L33.2 - 33.2W LED Strip(s)	120 - 277V  (120 - 230V Dimmable)	TE600 - 600mA ELV Low Voltage Dimming Electronic Driver (Standard For L20.0 & L41.0)  TE500 - 500mA ELV Low Voltage Dimming Electronic Driver (Standard For L33.2)  ZE1100 - 1100mA Low Voltage Dimming Electronic Driver (For L33.2) (Dimmable 0 - 10V)	WAL - White Acrylic WLL - White Acrylic Formulated For LED Fixtures	SM - Matte Silver TB - Textured Black AC - Antique Copper AS - Antique Silver BT - Bronze Mist CP - Copper KC - Kenworth Chrome SN - Sand SW - Swedish Steel BZ - Textured Bronze TW - Textured White  RAL Colors or Custom Match - Consult Factory	50K - 5000K Color Temp. 40K - 4000K Color Temp. 35K - 3500K Color Temp. 30K - 3000K Color Temp. 27K - 2700K Color Temp. F - Fused

**REPLACEMENT PARTS** PART NO.

24" White Acrylic Front Lens Panel	3028460
24" Frosted White Acrylic LED Front Lens Panel	3028462
24" White Acrylic Side Lens Panel	3028360
24" Frosted White Acrylic LED Front Lens Panel	3028362

**NOTES**

We reserve the right to revise the design or components of any product due to parts availability or change in UL standards, without assuming any obligation or liability to modify any products previously manufactured, and without notice.



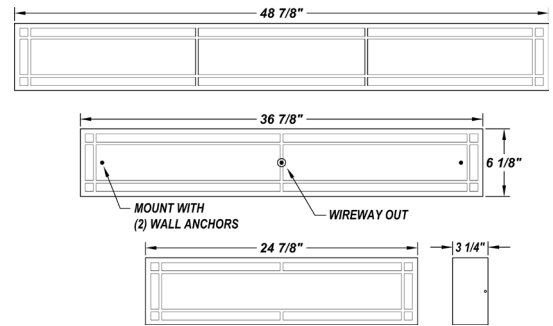
PROJECT :
TYPE :
ORDERING # :
COMMENTS :

**BARTON CREEK LED**



**FEATURES**

- Steel Trim w/ Swedish Steel Powder Coat Finish
- Aluminum Housing w/ White Powder Coat Finish
- Aluminum Reflector w/ Hi-Reflectance White Powder Coat Finish
- Luminous White Acrylic Diffuser
- Over-Voltage, Over-Current, and Short-Circuit Protection w/ Auto Recovery
- Constant Current, Dimmable to 10% From 120V to 230V
- Mounts Directly to Surface w/ Two Wall Anchors (Not Included)
- ADA Compliant
- CSA Listed Damp Location For Surface Mount
- Awaiting IES Files, Lighting Facts, And Title 24 Labeling / Certification



**ORDERING INFORMATION**

Example : (BT36 - L23.2 - 120-277V - ZE700 - WAL - AC - 35K) Swedish Steel is Standard Finish

PRODUCT	SOURCE/WATTAGE	VOLTAGE	DRIVER OPTIONS	DIFFUSER	FINISH	OPTIONS
BT36 (36 1/4" Fixture)	L23.2 - 23.2W LED Strip(s)	120 - 277V	TE700 - 700mA ELV Low Voltage Dimming Electronic Driver (For L23.2)	WAL - White Acrylic WLL - White Acrylic Formulated For LED Fixtures	SM - Matte Silver TB - Textured Black AC - Antique Copper AS - Antique Silver BT - Bronze Mist CP - Copper KC - Kenworth Chrome SN - Sand SW - Swedish Steel BZ - Textured Bronze TW - Textured White  RAL Colors or Custom Match - Consult Factory	40K - 4000K Color Temp. 35K - 3500K Color Temp. 30K - 3000K Color Temp.
	L30.0 - 30W LED Strip(s)	(120 - 230V Dimmable)	ZE700 - 700mA Low Voltage Dimming Electronic Driver (For L23.2) (Dimmable 0 - 10V)  ZE875 - 875mA Low Voltage Dimming Electronic Driver (For L30.0) (Dimmable 0 - 10V)			

REPLACEMENT PARTS	PART NO.
36" White Acrylic Front Lens Panel	3028260
36" Frosted White Acrylic LED Front Lens Panel	3028260
36" White Acrylic Side Lens Panel	3028162
36" Frosted White Acrylic LED Side Lens Panel	3028162

**NOTES**

We reserve the right to revise the design or components of any product due to parts availability or change in UL standards, without assuming any obligation or liability to modify any products previously manufactured, and without notice.



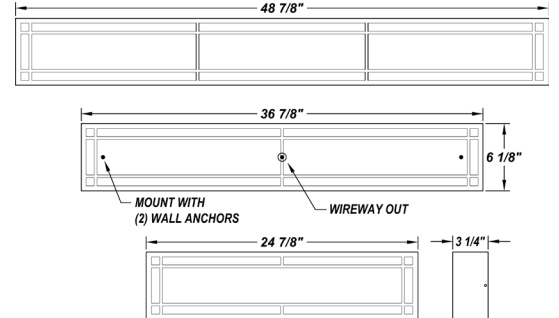
PROJECT :
TYPE :
ORDERING # :
COMMENTS :

**BARTON CREEK LED**



**FEATURES**

- Steel Trim w/ Swedish Steel Powder Coat Finish
- Aluminum Housing w/ White Powder Coat Finish
- Aluminum Reflector w/ Hi-Reflectance White Powder Coat Finish
- Luminous White Acrylic Diffuser
- Over-Voltage, Over-Current, and Short-Circuit Protection w/ Auto Recovery
- Constant Current, Dimmable to 10% From 120V to 230V
- Mounts Directly to Surface w/ Two Wall Anchors (Not Included)
- CSA Listed Damp Location For Surface Mount
- Awaiting IES Files, Lighting Facts, And Title 24 Labeling / Certification
- ADA Compliant



**ORDERING INFORMATION**

Example : (BT48 - L36.0 - 120-277V - TE500 - AC - 35K) Swedish Steel is Standard Finish

PRODUCT	SOURCE/WATTAGE	VOLTAGE	DRIVER OPTIONS	FINISH	DIFFUSER	OPTIONS
BT48 (48 1/4" Fixture)	L24.0 - 24W LED Strip(s)	120 - 277V	TE350 - 350mA ELV Low Voltage Dimming Electronic Driver (Standard For L24.0)	SM - Matte Silver	WAL - White Acrylic WLL - White Acrylic Formulated For LED Fixtures	40K - 4000K Color Temp. 35K - 3500K Color Temp. 30K - 3000K Color Temp.
	L36.0 - 36W LED Strip(s)	(120 - 230V Dimmable)	TE500 - 500mA ELV Low Voltage Dimming Electronic Driver (Standard For L36.0)	TB - Textured Black AC - Antique Copper AS - Antique Silver BT - Bronze Mist CP - Copper KC - Kenworth Chrome		
	L41.2 - 41.2W LED Strip(s)		LE350 - 350mA Line Voltage Dimming Incandescent Driver (Optional For L24.0)	SN - Sand SW - Swedish Steel BZ - Textured Bronze TW - Textured White		
			LE500 - 500mA Line Voltage Dimming Incandescent Driver (Optional For L36.0)	RAL Colors or Custom Match - Consult Factory		
			ZE500 - 600mA Low Voltage Dimming Electronic Driver (For L36.0) (Dimmable 0 - 10V)			
		ZE600 - 600mA Low Voltage Dimming Electronic Driver (For L41.2) (Dimmable 0 - 10V)				

**REPLACEMENT PARTS PART NO.**

48" White Acrylic Front Lens Panel	3028060
48" Frosted White Acrylic LED Front Lens Panel	3028062
48" White Acrylic Side Lens Panel	3027960
48" Frosted White Acrylic LED Side Lens Panel	3027962

**NOTES**

We reserve the right to revise the design or components of any product due to parts availability or change in UL standards, without assuming any obligation or liability to modify any products previously manufactured, and without notice.



PROJECT :
TYPE :
ORDERING # :
COMMENTS :

PRODUCT	SOURCE/WATTAGE	27K SPECIFICATIONS	30K SPECIFICATIONS	35K SPECIFICATIONS
Barton Creek LED 2'	L20.0 - (4) LED Strips	<b>L20.0 - Four LED Strips</b> <b>27K - 2700K Color Temp.</b> - 32 fV, Color Temp = 2700K Nominal - < / = 280mA for LM 80 - Constant Current 600 Milliamps Driver - 21W Input = 2007 LED Lumens - Estimated 95.6 Lumens Per Watt	<b>L20.0 - Four LED Strips</b> <b>30K - 3000K Color Temp.</b> - 32 fV, Color Temp = 3000K Nominal - < / = 280mA for LM 80 - Constant Current 600 Milliamps Driver - 21W Input = 2050 LED Lumens - Estimated 97.6 Lumens Per Watt	<b>L20.0 - Four LED Strips</b> <b>35K - 3500K Color Temp.</b> - 32 fV, Color Temp = 3500K Nominal - < / = 280mA for LM 80 - Constant Current 600 Milliamps Driver - 21W Input = 2093 LED Lumens - Estimated 99.7 Lumens Per Watt

PRODUCT	SOURCE/WATTAGE	40K SPECIFICATIONS	50K SPECIFICATIONS
Barton Creek LED 2'	L20.0 - (4) LED Strips	<b>L20.0 - Four LED Strips</b> <b>40K - 4000K Color Temp.</b> - 32 fV, Color Temp = 4000K Nominal - < / = 280mA for LM 80 - Constant Current 600 Milliamps Driver - 21W Input = 2158 LED Lumens - Estimated 102.8 Lumens Per Watt	<b>L20.0 - Four LED Strips</b> <b>50K - 5000K Color Temp.</b> - 32 fV, Color Temp = 5000K Nominal - < / = 280mA for LM 80 - Constant Current 600 Milliamps Driver - 21W Input = 2223 LED Lumens - Estimated 105.8 Lumens Per Watt

PRODUCT	SOURCE/WATTAGE	27K SPECIFICATIONS	30K SPECIFICATIONS	35K SPECIFICATIONS
Barton Creek LED 2'	L33.2 - (2) LED Strips	<b>L33.2 - Two LED Strips</b> <b>27K - 2700K Color Temp.</b> - 32 fV, Color Temp = 2700K Nominal - < / = 280mA for LM 80 - Constant Current 500 Milliamps Driver - 35W Input = 4572 LED Lumens - Estimated 130.6 Lumens Per Watt	<b>L33.2 - Two LED Strips</b> <b>30K - 3000K Color Temp.</b> - 32 fV, Color Temp = 3000K Nominal - < / = 280mA for LM 80 - Constant Current 500 Milliamps Driver - 35W Input = 4670 LED Lumens - Estimated 133.4 Lumens Per Watt	<b>L33.2 - Two LED Strips</b> <b>35K - 3500K Color Temp.</b> - 32 fV, Color Temp = 3500K Nominal - < / = 280mA for LM 80 - Constant Current 500 Milliamps Driver - 35W Input = 4769 LED Lumens - Estimated 136.3 Lumens Per Watt

PRODUCT	SOURCE/WATTAGE	40K SPECIFICATIONS	50K SPECIFICATIONS
Barton Creek LED 2'	L33.2 - (2) LED Strips	<b>L33.2 - Two LED Strips</b> <b>40K - 4000K Color Temp.</b> - 32 fV, Color Temp = 4000K Nominal - < / = 280mA for LM 80 - Constant Current 500 Milliamps Driver - 35W Input = 4916 LED Lumens - Estimated 140.5 Lumens Per Watt	<b>L33.2 - Two LED Strips</b> <b>50K - 5000K Color Temp.</b> - 32 fV, Color Temp = 5000K Nominal - < / = 280mA for LM 80 - Constant Current 500 Milliamps Driver - 35W Input = 5063 LED Lumens - Estimated 144.7 Lumens Per Watt

PRODUCT	SOURCE/WATTAGE	27K SPECIFICATIONS	30K SPECIFICATIONS	35K SPECIFICATIONS
Barton Creek LED 2'	L33.2 - (2) LED Strips w/ 0-10V Dimming Driver	<b>L33.2 - Two LED Strips</b> <b>27K - 2700K Color Temp.</b> - 32 fV, Color Temp = 2700K Nominal - < / = 280mA for LM 80 - Constant Current 1100 Milliamps Driver - 36W Input = 5070 LED Lumens - Estimated 140.8 Lumens Per Watt	<b>L33.2 - Two LED Strips</b> <b>30K - 3000K Color Temp.</b> - 32 fV, Color Temp = 3000K Nominal - < / = 280mA for LM 80 - Constant Current 1100 Milliamps Driver - 36W Input = 5179 LED Lumens - Estimated 143.9 Lumens Per Watt	<b>L33.2 - Two LED Strips</b> <b>35K - 3500K Color Temp.</b> - 32 fV, Color Temp = 3500K Nominal - < / = 280mA for LM 80 - Constant Current 1100 Milliamps Driver - 36W Input = 5288 LED Lumens - Estimated 146.9 Lumens Per Watt

PRODUCT	SOURCE/WATTAGE	40K SPECIFICATIONS	50K SPECIFICATIONS
Barton Creek LED 2'	L33.2 - (2) LED Strips w/ 0-10V Dimming Driver	<b>L33.2 - Two LED Strips</b> <b>40K - 4000K Color Temp.</b> - 32 fV, Color Temp = 4000K Nominal - < / = 280mA for LM 80 - Constant Current 1100 Milliamps Driver - 36W Input = 5452 LED Lumens - Estimated 151.4 Lumens Per Watt	<b>L33.2 - Two LED Strips</b> <b>50K - 5000K Color Temp.</b> - 32 fV, Color Temp = 5000K Nominal - < / = 280mA for LM 80 - Constant Current 1100 Milliamps Driver - 36W Input = 5616 LED Lumens - Estimated 156.7 Lumens Per Watt

**ARRA 2009**



**BUY AMERICA ACT** Compliant c

**Please Note:** All Lumen Information is For Estimation / Specification Purposes Only.  
Once Proper Certifications Are Received, The Data Will be Updated Accordingly.



PROJECT :
TYPE :
ORDERING # :
COMMENTS :

PRODUCT	SOURCE/WATTAGE	27K SPECIFICATIONS	30K SPECIFICATIONS	35K SPECIFICATIONS
Barton Creek LED 3'	L23.2 - 23.2W LED Strip(s)	<p><b>L23.2</b> 27K - 3000K Color Temp.</p> <p>- 34 fV, Color Temp = 2700K Nominal - Constant Current 700 Milliamps Driver - 28.4W Input = 3189 LED Lumens - Estimated 112.3 Lumens Per Watt</p>	<p><b>L23.2</b> 30K - 3000K Color Temp.</p> <p>- 34 fV, Color Temp = 3000K Nominal - Constant Current 700 Milliamps Driver - 28.4W Input = 3258 LED Lumens - Estimated 114.7 Lumens Per Watt</p>	<p><b>L23.2</b> 35K - 3500K Color Temp.</p> <p>- 34 fV, Color Temp = 3500K Nominal - Constant Current 700 Milliamps Driver - 28.4W Input = 3326 LED Lumens - Estimated 117.1 Lumens Per Watt</p>

PRODUCT	SOURCE/WATTAGE	40K SPECIFICATIONS	50K SPECIFICATIONS
Barton Creek LED 3'	L23.2 - 23.2W LED Strip(s)	<p><b>L23.2</b> 40K - 4000K Color Temp.</p> <p>- 34 fV, Color Temp = 4000K Nominal - Constant Current 700 Milliamps Driver - 28.4W Input = 3429 LED Lumens - Estimated 120.7 Lumens Per Watt</p>	<p><b>L23.2</b> 30K - 3000K Color Temp.</p> <p>- 34 fV, Color Temp = 5000K Nominal - Constant Current 700 Milliamps Driver - 28.4W Input = 3533 LED Lumens - Estimated 124.4 Lumens Per Watt</p>

PRODUCT	SOURCE/WATTAGE	27K SPECIFICATIONS	30K SPECIFICATIONS	35K SPECIFICATIONS
Barton Creek LED 3'	L30.0 - 30.0W LED Strip(s)	<p><b>L30.0</b> 27K - 2700K Color Temp.</p> <p>- 34 fV, Color Temp = 2700K Nominal - Constant Current 875 Milliamps Driver - 37W Input = 3986 LED Lumens - Estimated 107.7 Lumens Per Watt</p>	<p><b>L30.0</b> 30K - 3000K Color Temp.</p> <p>- 34 fV, Color Temp = 3000K Nominal - Constant Current 875 Milliamps Driver - 37W Input = 4072 LED Lumens - Estimated 110.1 Lumens Per Watt</p>	<p><b>L30.0</b> 35K - 3500K Color Temp.</p> <p>- 34 fV, Color Temp = 3500K Nominal - Constant Current 875 Milliamps Driver - 37W Input = 4157 LED Lumens - Estimated 112.4 Lumens Per Watt</p>

PRODUCT	SOURCE/WATTAGE	40K SPECIFICATIONS	50K SPECIFICATIONS
Barton Creek LED 3'	L30.0- 30.0W LED Strip(s)	<p><b>L30.0</b> 40K - 4000K Color Temp.</p> <p>- 34 fV, Color Temp = 4000K Nominal - Constant Current 875 Milliamps Driver - 37W Input = 4286 LED Lumens - Estimated 115.8 Lumens Per Watt</p>	<p><b>L23.2</b> 30K - 3000K Color Temp.</p> <p>- 34 fV, Color Temp = 5000K Nominal - Constant Current 875 Milliamps Driver - 28.4W Input = 3258 LED Lumens - Estimated 114.7 Lumens Per Watt</p>



**Please Note:** All Lumen Information is For Estimation / Specification Purposes Only. Once Proper Certifications Are Received, The Data Will be Updated Accordingly.



PROJECT :
TYPE :
ORDERING # :
COMMENTS :

PRODUCT	SOURCE/WATTAGE	30K SPECIFICATIONS	35K SPECIFICATIONS	40K SPECIFICATIONS
Barton Creek LED 4'	L24.0 - 24W LED Strip(s)	<b>L24.0</b> 30K - 3000K Color Temp. - 34 fV, Color Temp = 3000K Nominal - Constant Current 350 Milliamps Driver - 28W Input = 2800 LED Lumens - Estimated 100 Lumens Per Watt	<b>L24.0</b> 35K - 3500K Color Temp. - 34 fV, Color Temp = 3500K Nominal - Constant Current 350 Milliamps Driver - 28W Input = 2860 LED Lumens - Estimated 102 Lumens Per Watt	<b>L24.0</b> 40K - 4000K Color Temp. - 34 fV, Color Temp = 4000K Nominal - Constant Current 350 Milliamps Driver - 28W Input = 2916 LED Lumens - Estimated 104 Lumens Per Watt
		<b>L36.0</b> 30K - 3000K Color Temp. - 34 fV, Color Temp = 3000K Nominal - Constant Current 500 Milliamps Driver - 40W Input = 3972 LED Lumens - Estimated 99 Lumens Per Watt	<b>L36.0</b> 35K - 3500K Color Temp. - 34 fV, Color Temp = 3500K Nominal - Constant Current 500 Milliamps Driver - 40W Input = 4056 LED Lumens - Estimated 101 Lumens Per Watt	<b>L36.0</b> 40K - 4000K Color Temp. - 34 fV, Color Temp = 4000K Nominal - Constant Current 500 Milliamps Driver - 40W Input = 4220 LED Lumens - Estimated 106 Lumens Per Watt
	L41.2 - 41.2W LED Strip(s)	<b>L41.2</b> 30K - 3000K Color Temp. - 34 fV, Color Temp = 3000K Nominal - Constant Current 600 Milliamps Driver - 43W Input = 5578 LED Lumens - Estimated 129.7 Lumens Per Watt	<b>L41.2</b> 35K - 3500K Color Temp. - 34 fV, Color Temp = 3500K Nominal - Constant Current 600 Milliamps Driver - 43W Input = 5696 LED Lumens - Estimated 132.5 Lumens Per Watt	<b>L41.2</b> 40K - 4000K Color Temp. - 34 fV, Color Temp = 4000K Nominal - Constant Current 600 Milliamps Driver - 43W Input = 5872 LED Lumens - Estimated 136.6 Lumens Per Watt

ARRA 2009



BUY AMERICA ACT



ADA



Compliant c US

**Please Note:** All Lumen Information is For Estimation / Specification Purposes Only. Once Proper Certifications Are Received, The Data Will be Updated Accordingly.