

PROJECT :
TYPE :
ORDERING # :
COMMENTS :

**BARTON CREEK LED**

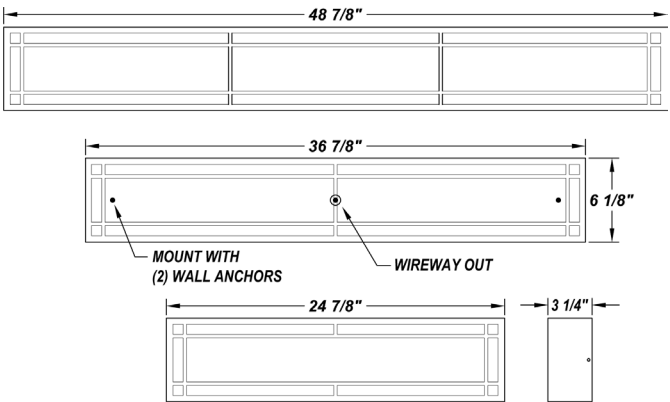


**FEATURES**

- Steel Housing w/ Swedish Steel Powder Coat Finish
- Steel Mounting Pan w/ Hi-Reflectance White Powder Coat Finish
- Luminous White Acrylic Panels
- Steel Reflector w/ Hi-Reflectance White Powder Coat Finish
- Mounts Directly to Surface w/ Two Wall Anchors (Not Included)
- ADA Compliant
- CSA Listed Damp Location For Wall or Ceiling Mounting

**LED FEATURES**

- ELV Driver - Over-Voltage, Over-Current, and Short-Circuit Protection w/ Auto Recovery
- Constant Current, Dimmable to 10% From 120V to 230V



**ORDERING INFORMATION**

Example : (BT24 - L33.0 - 120-277V - LT1000 - WLL - BZ - 35K) Matte Silver is Standard Finish

PRODUCT	SOURCE/WATTAGE	VOLTAGE	DRIVER OPTIONS	DIFFUSER	FINISH	OPTIONS
BT24 (24 7/8" Fixture)	L22.0 - 22.0W LED Strip(s) L33.0 - 33.0W LED Strip(s) L36.0 - 36.0W LED Strip(s)	120 - 277V  (120 - 230V Dimmable)	LT700 - 700mA Trailing or Leading Edge Driver (For 22.0W)  LT1000 - 1000mA Trailing or Leading Edge Driver (For 33.0W)  ZE1000 - 1000mA Low Voltage Dimming Electronic Driver (For L33.0) (Dimmable 0 - 10V)  ZE1100 - 1100mA Low Voltage Dimming Electronic Driver (For L36.0) (Dimmable 0 - 10V)	WAL - White Acrylic WLL - White Acrylic Formulated For LED Fixtures	SM - Matte Silver TB - Textured Black AC - Antique Copper AS - Antique Silver BT - Bronze Mist CP - Copper SN - Sand SW - Swedish Steel BZ - Textured Bronze TW - Textured White  RAL Colors or Custom Match - Consult Factory	50K - 5000K Color Temp. 40K - 4000K Color Temp. 35K - 3500K Color Temp. 30K - 3000K Color Temp. 27K - 2700K Color Temp. F - Fused

**REPLACEMENT PARTS** PART NO.

24" White Acrylic Front Lens Panel	3028460
24" Frosted White Acrylic LED Front Lens Panel	3028462
24" White Acrylic Side Lens Panel	3028360
24" Frosted White Acrylic LED Front Lens Panel	3028362

**NOTES**

We reserve the right to revise the design or components of any product due to parts availability or change in UL standards, without assuming any obligation or liability to modify any products previously manufactured, and without notice.



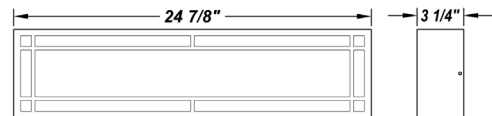
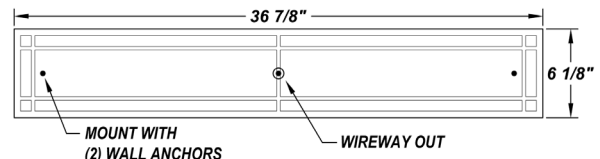
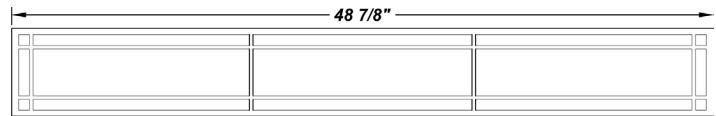
PROJECT :
TYPE :
ORDERING # :
COMMENTS :

**BARTON CREEK LED**



**FEATURES**

- Steel Trim w/ Swedish Steel Powder Coat Finish
- Aluminum Housing w/ White Powder Coat Finish
- Aluminum Reflector w/ Hi-Reflectance White Powder Coat Finish
- Luminous White Acrylic Diffuser
- Over-Voltage, Over-Current, and Short-Circuit Protection w/ Auto Recovery
- Constant Current, Dimmable to 10% From 120V to 230V
- Mounts Directly to Surface w/ Two Wall Anchors (Not Included)
- ADA Compliant
- CSA Listed Damp Location For Surface Mount



**ORDERING INFORMATION**

Example : (BT36 - L38.0 - 120-277V - LT1200 - WAL - AC - 35K) Swedish Steel is Standard Finish

PRODUCT	SOURCE/WATTAGE	VOLTAGE	DRIVER OPTIONS	DIFFUSER	FINISH	OPTIONS
BT36 (36 7/8" Fixture)	L35.0 - 35.0W LED Strip(s) L38.0 - 38.0W LED Strip(s)	120 - 277V  (120 - 230V Dimmable)	ZE1100 - 1100mA Low Voltage Dimming Electronic Driver (For L35.0) (Dimmable 0 - 10V)  LT1200 - 1200mA Trailing or Leading Edge Driver (For 38.0W)	WAL - White Acrylic WLL - White Acrylic Formulated For LED Fixtures	SM - Matte Silver TB - Textured Black AC - Antique Copper AS - Antique Silver BT - Bronze Mist CP - Copper SN - Sand SW - Swedish Steel BZ - Textured Bronze TW - Textured White  RAL Colors or Custom Match - Consult Factory	50K - 5000K Color Temp. 40K - 4000K Color Temp. 35K - 3500K Color Temp. 30K - 3000K Color Temp. 27K - 2700K Color Temp. F - Fused

**REPLACEMENT PARTS** PART NO.

36" White Acrylic Front Lens Panel	3028260
36" Frosted White Acrylic LED Front Lens Panel	3028260
36" White Acrylic Side Lens Panel	3028162
36" Frosted White Acrylic LED Side Lens Panel	3028162

**NOTES**

We reserve the right to revise the design or components of any product due to parts availability or change in UL standards, without assuming any obligation or liability to modify any products previously manufactured, and without notice.



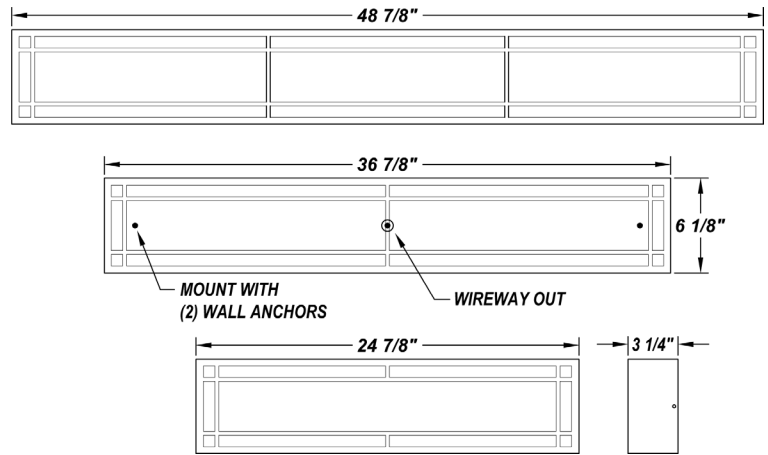
PROJECT :
TYPE :
ORDERING # :
COMMENTS :

**BARTON CREEK LED**



**FEATURES**

- Steel Trim w/ Swedish Steel Powder Coat Finish
- Aluminum Housing w/ White Powder Coat Finish
- Aluminum Reflector w/ Hi-Reflectance White Powder Coat Finish
- Luminous White Acrylic Diffuser
- Over-Voltage, Over-Current, and Short-Circuit Protection w/ Auto Recovery
- Constant Current, Dimmable to 10% From 120V to 230V
- Mounts Directly to Surface w/ Two Wall Anchors (Not Included)
- CSA Listed Damp Location For Surface Mount
- ADA Compliant



**ORDERING INFORMATION**

Example : (BT48 - L64.0 - 120-277V - ZE2000 - AC - 35K) Swedish Steel is Standard Finish

PRODUCT	SOURCE/WATTAGE	VOLTAGE	DRIVER OPTIONS	FINISH	DIFFUSER	OPTIONS
BT48 (48 7/8" Fixture)	L64.0 - 64W LED Strip(s)	120 - 277V	ZE2000 - 2000mA Low Voltage Dimming Electronic Driver (For L64.0) (Dimmable 0 - 10V)  ZE2200 - 2200mA Low Voltage Dimming Electronic Driver (For L72.0) (Dimmable 0 - 10V)	SM - Matte Silver TB - Textured Black AC - Antique Copper AS - Antique Silver BT - Bronze Mist CP - Copper SN - Sand SW - Swedish Steel BZ - Textured Bronze TW - Textured White  RAL Colors or Custom Match - Consult Factory	WAL - White Acrylic WLL - White Acrylic Formulated For LED Fixtures	50K - 5000K Color Temp. 40K - 4000K Color Temp. 35K - 3500K Color Temp. 30K - 3000K Color Temp. 27K - 2700K Color Temp. F - Fused
	L72.0 - 72W LED Strip(s)	(120 - 230V Dimmable)				

**REPLACEMENT PARTS PART NO.**

48" White Acrylic Front Lens Panel	3028060
48" Frosted White Acrylic LED Front Lens Panel	3028062
48" White Acrylic Side Lens Panel	3027960
48" Frosted White Acrylic LED Side Lens Panel	3027962

**NOTES**

We reserve the right to revise the design or components of any product due to parts availability or change in UL standards, without assuming any obligation or liability to modify any products previously manufactured, and without notice.





PROJECT :
TYPE :
ORDERING # :
COMMENTS :

PRODUCT	SOURCE/WATTAGE	30K SPECIFICATIONS
<b>Barton Creek LED 2'</b>	<b>L22.0</b> - (22.0W) LED Strips - Constant Current 700 Milliamps Driver - 24W Input	<b>L22.0 - 22.0W LED Strips</b> 30K - 3000K Color Temp. - 32 fV, Color Temp = 3000K Nominal - 3479 LED Source Lumens - 145 LED Source Lumens Per Watt
	<b>L33.0</b> - (33.0W) LED Strips - Constant Current 1000 Milliamps Driver - 34.3W Input	<b>L33.0 - 33.0W LED Strips</b> 30K - 3000K Color Temp. - 32 fV, Color Temp = 3000K Nominal - 4970 LED Source Lumens - 145 LED Source Lumens Per Watt
	<b>L36.0</b> - (36.0W) LED Strips - Constant Current 1100 Milliamps Driver - 37.7W Input	<b>L36.0 - 36.0W LED Strips</b> 30K - 3000K Color Temp. - 32 fV, Color Temp = 3000K Nominal - 5467 LED Source Lumens - 145 LED Source Lumens Per Watt

PRODUCT	SOURCE/WATTAGE	30K SPECIFICATIONS
<b>Barton Creek LED 3'</b>	<b>L35.0</b> - 35.0W LED Strip(s) - Constant Current 1200 Milliamps Driver - 35W Input	<b>L35.0</b> 30K - 3000K Color Temp. - 34 fV, Color Temp = 3000K Nominal - 5073 LED Source Lumens - 145 LED Source Lumens Per Watt
	<b>L38.0</b> - 38.0W LED Strip(s) - Constant Current 1200 Milliamps Driver - 38W Input	<b>L38.0</b> 30K - 3000K Color Temp. - 34 fV, Color Temp = 3000K Nominal - 5508 LED Source Lumens - 145 LED Source Lumens Per Watt

PRODUCT	SOURCE/WATTAGE	30K SPECIFICATIONS
<b>Barton Creek LED 4'</b>	<b>L64.0</b> - 64W LED Strip(s) - Constant Current 2000 Milliamps Driver - 64W Input	<b>L64.0</b> 30K - 3000K Color Temp. - 34 fV, Color Temp = 3000K Nominal - 9277 LED Source Lumens - 145 LED Source Lumens Per Watt
	<b>L72.0</b> - 72.0W LED Strip(s) - Constant Current 2200 Milliamps Driver - 72W Input	<b>L72.0</b> 30K - 3000K Color Temp. - 34 fV, Color Temp = 3000K Nominal - 10437 LED Source Lumens - 145 LED Source Lumens Per Watt



**Please Note:** All Lumen Information is For Estimation / Specification Purposes Only.  
Once Proper Certifications Are Received, The Data Will be Updated Accordingly.