

LANDMARK S LED



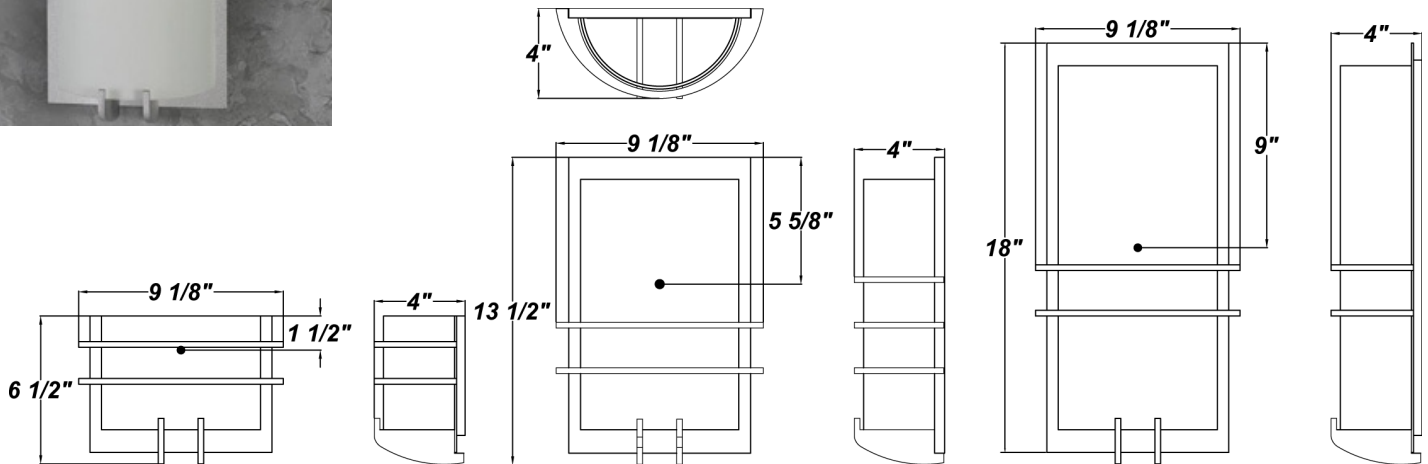
PROJECT :
TYPE :
ORDERING # :
COMMENTS :

FEATURES

- Steel Trim Accents w/ Matte Silver Powder Coat Finish
- Luminous White Acrylic Diffuser
- Aluminum Mounting Pan & Reflector
- Open Top & Bottom
- Mounts Directly to 4" Junction Box (By Others)
- Mounting Hardware Included
- ADA Compliant
- Dry Location For Wall Mounting
- 120V 350mA Driver For L25.0W is Dimmable
- 120V 350mA Driver For L11.5W is Not Dimmable
- 277V 350mA Drivers Are Not Dimmable
- Landmark 18" is CSA Listed Dry Location For Wall Mounting

DIMMING FEATURES

- Dimmable to <5%
- Dimmable With Either Triac or Electronic Dimmers
- Over-Current, Over-Voltage, and Short Circuit Protection
- Constant Current at 350 Milliamps
- UL Class 2 Driver - Power Factor >.90
- Estimated 50,000 Hours Life (L70)



ORDERING INFORMATION

Example : (LNDS - L25.0 - 277V - 350mA - WAL - BT - 30K)

Matte Silver is Standard Finish

PRODUCT	SOURCE/WATTAGE	VOLTAGE	DRIVER OPTIONS	DIFFUSER	FINISH	OPTIONS
Landmark 18" (LNDS) (18" Fixture)	L25.0 - (2) 12.5W (40) LED Modules	120V - 120V 277V - 277V (50 / 60Hz)	350mA - 350mA Constant Current Driver (For L25.0W) (Can be Dimmed @ 120V With Either Triac or Electronic Dimmers)	WAL - White Acrylic	SM - Matte Silver TB - Textured Black AC - Antique Copper AS - Antique Silver BT - Bronze Mist CP - Copper KC - Kenworth Chrome SN - Sand SW - Swedish Steel BZ - Textured Bronze TW - Textured White	27K - 2700K Color Temperature 30K - 3000K Color Temperature 35K - 3500K Color Temperature 40K - 4000K Color Temperature F - Fused
Landmark 13" (LNDT) (13" Fixture)	L16.9 - (4) 4.2W (11) LED Strips		LT350 - 350mA Trailing or Leading Edge Driver (For 16.9W) (120 - 277V) (Dimmable @120V Only)			
Landmark 6" (LNDM) (6" Fixture)	L11.5 - (2) 5.8W (11) LED Strips		350mA - 350mA Constant Current Driver (For L11.5W) (Non-Dimmable)		RAL Colors or Custom Match - Consult Factory	

REPLACEMENT PARTS PART NO.

White Acrylic Diffuser For 18" Fixture	3027860
White Acrylic Diffuser For 13" Fixture	3041560
White Acrylic Diffuser For 6" Fixture	3033660

NOTES

We reserve the right to revise the design or components of any product due to parts availability or change in UL standards, without assuming any obligation or liability to modify any products previously manufactured, and without notice.



