

PROJECT :
TYPE :
ORDERING # :
COMMENTS :

BEL AIR LED

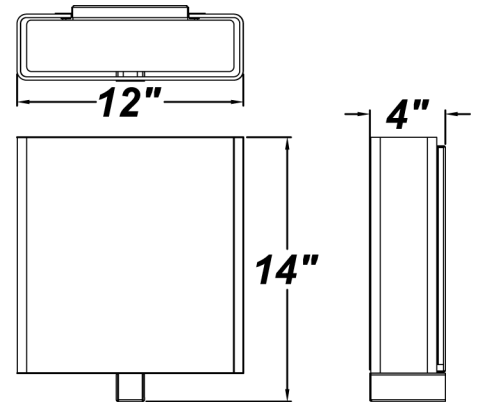


FEATURES

- Frosted White Acrylic Diffuser
- Steel Mounting Pan w/ Matte Silver Powder Coat Finish
- Aluminum Reflective LED Mount Plate
- Steel Trim w/ Matte Silver Powder Coat Finish
- Open Top
- Mounts Directly to 4" Junction Box (By Others)
- Mounting Hardware Included
- Pending CSA Listed Dry Location For Wall Mounting
- ADA Compliant
- Awaiting IES Files, DLC, Lighting Facts, And Title 24 Labeling / Certification

DIMMING FEATURES

- Dimmable 0 - 10V
- Over-Current, Over-Voltage, and Short Circuit Protection
- Constant Current
- UL Class 2 Driver - Power Factor >.90
- Estimated 50,000 Hours Life (L70)



Shown w/ Optional Acrylic Top Cover

ORDERING INFORMATION

Example : (BLR - L50.0 - 120-277V - ZE1400 - WAL - AC - 27K) Matte Silver is Standard Finish

BLR						
-----	--	--	--	--	--	--

PRODUCT	SOURCE/WATTAGE	VOLTAGE	DRIVER OPTIONS	DIFFUSER	FINISH	OPTIONS
Bel Air	L50.0 - (4) 12.5W LED Modules	120 - 277V (120 - 277V Dimmable For 0-10V)	ZE1400 - 1400mA Line Voltage 2-Wire Dimming Driver (For L50.0) (Dimmable 0 - 10V)	WAL - White Acrylic Lens	SM - Matte Silver TB - Textured Black AC - Antique Copper AS - Antique Silver BT - Bronze Mist CP - Copper KC - Kenworth Chrome SN - Sand SW - Swedish Steel BZ - Textured Bronze TW - Textured White RAL Colors or Custom Match - Consult Factory	27K - 2700K Color Temp. 30K - 3000K Color Temp. 35K - 3500K Color Temp. 40K - 4000K Color Temp. F - Fused TCV - White Acrylic Top Cover

REPLACEMENT PARTS	PART NO.
White Acrylic Lens	3040560

NOTES

We reserve the right to revise the design or components of any product due to parts availability or change in UL standards, without assuming any obligation or liability to modify any products previously manufactured, and without notice.





PROJECT :
TYPE :
ORDERING # :
COMMENTS :

PRODUCT	SOURCE/WATTAGE	27K SPECIFICATIONS	30K SPECIFICATIONS	35K SPECIFICATIONS
Bel-Air LED (BLR)	L50.0 - (4) 12.5W Modules	L50.0	L50.0	L50.0
		27K - 2700K Color Temp. - 24 fV, Color Temp = 2700K Nominal - Constant Current 1400 Milliamps Driver - 47W Input = 5120 LED Lumens - Estimated 108.9 Board Lumens Per Watt	30K - 3500K Color Temp. - 24 fV, Color Temp = 3000K Nominal - Constant Current 1400 Milliamps Driver - 47W Input = 5505.3 LED Lumens - Estimated 117.1 Board Lumens Per Watt	35K - 3500K Color Temp. - 24 fV, Color Temp = 3500K Nominal - Constant Current 1400 Milliamps Driver - 47W Input = 5792 LED Lumens - Estimated 123.2 Board Lumens Per Watt

PRODUCT	SOURCE/WATTAGE	40K SPECIFICATIONS
Bel-Air LED (BLR)	L50.0 - (4) 12.5W Modules	L50.0
		40K - 4000K Color Temp. - 24 fV, Color Temp = 4000K Nominal - Constant Current 1400 Milliamps Driver - 47W Input = 5946 LED Lumens - Estimated 126.5 Board Lumens Per Watt

ARRA 2009



BUY AMERICA ACT