

**LEHMAN**

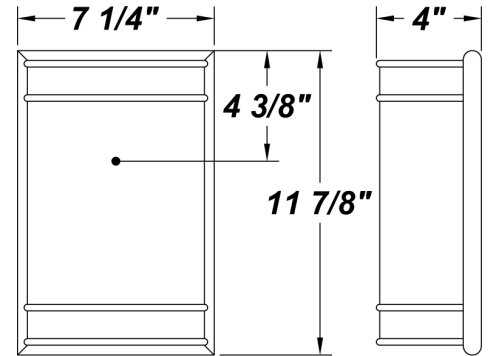


COMPACT FLUORESCENT

PROJECT :
TYPE :
ORDERING # :
COMMENTS :

**FEATURES**

- Steel Mounting Pan w/ Hi-Reflectance White Powder Coat Finish
- White Acrylic Lens w/ Matte Chrome Resin Trim Accents
- Open Top & Bottom
- Mounts Directly to 4" Junction Box (By Others)
- Mounting Hardware Included
- Lamps Included
- CSA Listed Dry Location For Wall Mount
- ADA Compliant



**ORDERING INFORMATION**

Example : (LN213Q - 120E - CM - 35K) Matte Chrome is Standard Finish

PRODUCT	SOURCE/WATTAGE	VOLTAGE	DIFFUSER	FINISH	OPTIONS
Lehman	LN113Q - (1) 13W QE LN213Q - (2) 13W QE LN118Q - (1) 18W QE LN218Q - (2) 18W QE LN126Q - (1) 26W QE LN226Q - (2) 26W QE	120E - 120V Electronic 277E - 277V Electronic 347E - 347V Electronic	Not Applicable	CM - Matte Chrome	41K - 4100K Color Temp. 35K - 3500K Color Temp. 30K - 3000K Color Temp. 27K - 2700K Color Temp. (Standard) F - Fused (Not Available For 347V) DIM - Dimming Ballast (QE Electronic Only) EBR - Remote Mount Battery (Field Installed)** MSP - Program Start Ballast (Recommended for Motion Sensor) ***

**REPLACEMENT PARTS** PART NO.

White Acrylic Lens w/ Matte Chrome Trim	3070767
---	---------

We reserve the right to revise the design or components of any product due to parts availability or change in UL standards, without assuming any obligation or liability to modify any products previously manufactured, and without notice.

**NOTES**

**\*\*Emergency Battery Options**  
Initial light output in Emergency mode will last for a minimum of 90 minutes. 1 lamp wired unless ordered otherwise. The following are suitable for indoor and damp locations. Please refer to Bodine's specification sheet  
**EBR:**  
Bodine's B94CG (Electronic) - Temperature Rating (Ambient) 32° F - 122° F

ARRA 2009



**BUY AMERICA ACT** Compliant **C** **US**

\*\*\* For Electronic Wattage Fixtures Being Used in Conjunction With an Occupancy Sensor (Either Provided by us, or Your Own System), a Program Start Ballast is Recommended in Order to Maximize Lamp Life.