

CADDY SM

Outdoor Wall Lighting



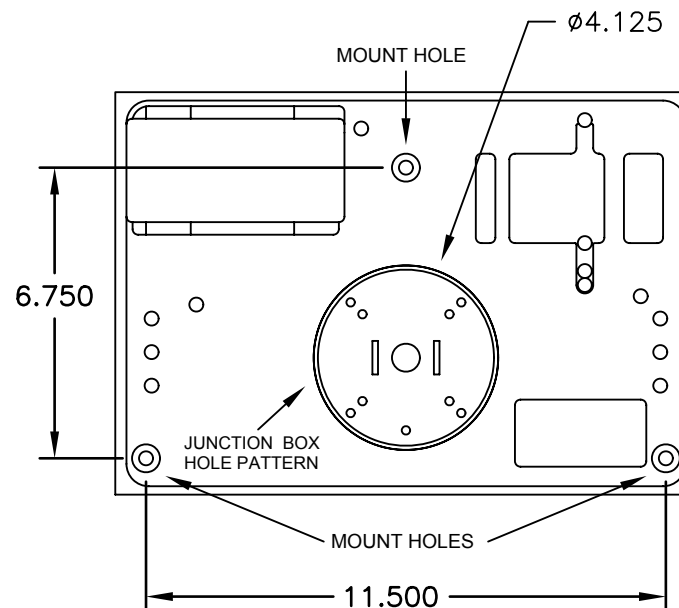
Echelon COLLECTION TERON SERIES

76066

INSTALLATION

- 1] Remove any excess packing from the fixture.
- 2] Remove the door from the housing and set aside.
- 3] The Caddy Sm is designed to be mounted directly to the wall by using (3) 1/4" anchor bolts, and the bolt pattern shown at the right.
- 4] Drill into the housing surface according to the pattern shown. Mount the fixture securely to the wall, and pull the supply leads into the housing.
- 5] Connect the fixture leads to the supply leads. TLI stipulates the Black as Line; White as Common; Bare/Green as Ground.
- 6] Check the re-lamp label to ensure that the lamp is the specified wattage. HID Lamps should be hand tight. For best operation, screw in the HID lamp, remove, & re-tighten.
- 7] Re-attach the door to the housing and secure the screws.
- 8] Outdoor wall fixtures must be caulked with a suitable waterproof sealant across the top, and at least 2" down each side of the fixture to properly seal it to the mounting surface. A small space should be open at the bottom for excess moisture runoff.

NOTE: THIS PRODUCT MUST BE INSTALLED IN ACCORDANCE WITH THE APPLICABLE INSTALLATION CODE BY A PERSON FAMILIAR WITH THE CONSTRUCTION AND OPERATION OF THE PRODUCT AND THE HAZARDS INVOLVED.



MAINTENANCE

The lens should be cleaned once every 6 months. Repeat the above procedures in reverse to remove the lens. It must be washed in a mild soap solution. DO NOT use cleansers containing bleach. Re-assemble the fixture.

The metal portion of the fixture can be wiped clean as needed using a mild soap solution.

ATTENTION: Avoid moving any exposed wires. If any wires are accidentally disconnected, call a professional to repair.

THE CADDY SMALL CAN EITHER BE MOUNTED DIRECTLY TO A WALL VIA THE 3 MOUNT HOLES, OR DIRECTLY TO A JUNCTION BOX VIA THE PRESET PATTERN ON THE BACK OF THE CADDY HOUSING. DRILL WHICHEVER HOLES YOU WISH TO USE FOR MOUNTING, AND PROCEED FROM THERE.

These instructions are general to the fixtures noted. Due to the numerous options, all variations may not be covered.

Installation of an electrical luminaire must be performed by a qualified professional. The fixture must be wired in accordance to all local & national electrical codes.