

INSTALLATION & MAINTENANCE INSTRUCTIONS  
PENDANTS

TRADITIONS  
NIKE

FIRESTONE  
GOLDEN BEAR  
LAKESIDE

MYRTLE BEACH  
THOUSAND OAKS



Echelon  
COLLECTION

TERON  
SERIES

76009

**NOTE: THIS PRODUCT MUST BE INSTALLED IN ACCORDANCE WITH THE APPLICABLE INSTALLATION CODE BY A PERSON FAMILIAR WITH THE CONSTRUCTION AND OPERATION OF THE PRODUCT AND THE HAZARDS INVOLVED.**

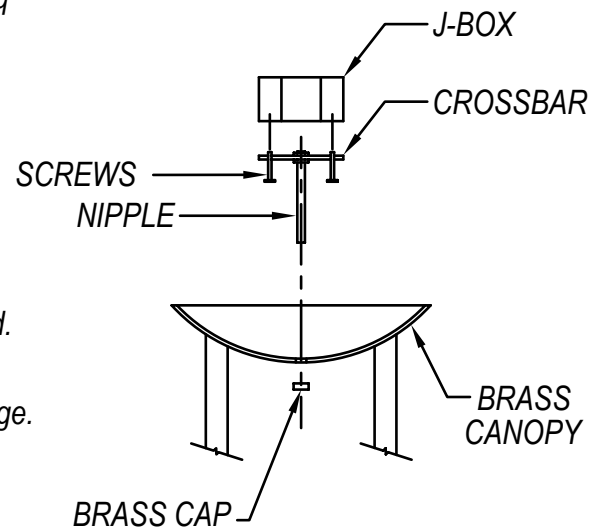
## INSTALLATION

1] The Pendant Series is designed to be mounted directly to a 4" or 3" sq junction box.

2] Connect the fixture leads to the supply leads. TLI stipulates the Black as Line; White as Common; Bare/Green as Ground.

3] Install crossbar to J-box with screws, then thread the nipple into the crossbar. Position the canopy over the nipple, then secure the canopy with the brass cap. Crossbar, screws, nipple and brass cap all provided.

4] Check the re-lamp label to ensure that the lamp is the specified wattage. Fluorescent lamps will not snap into incorrect lampholders.



## MAINTENANCE

The lens should be cleaned once every 6 months. The lens panels must be washed in a mild soap solution. DO NOT use cleansers containing bleach.

The metal portion of the fixture can be wiped clean as needed using a mild soap solution.

**ATTENTION:** Avoid moving any exposed wires. If any wires are accidentally disconnected, call a professional to repair.

*These instructions are general to the fixtures noted.  
Due to the numerous options, all variations may  
not be covered.*

*Installation of an electrical luminaire must be  
performed by a qualified professional. The  
fixture must be wired in accordance to all  
local & national electrical codes.*