

INSTALLATION & MAINTENANCE INSTRUCTIONS FOR THE  
**CALCUTTA & CALCUTTA CA**



*NOTE: THIS PRODUCT MUST BE INSTALLED IN ACCORDANCE WITH THE APPLICABLE INSTALLATION CODE BY A PERSON FAMILIAR WITH THE CONSTRUCTION AND OPERATION OF THE PRODUCT AND THE HAZARDS INVOLVED.*

### CALCUTTA INSTALLATION

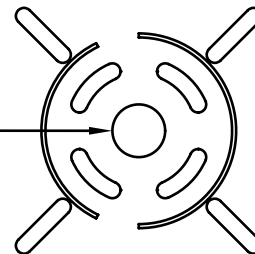
- 1] Remove any excess packing from the fixture.
- 2] Remove 2 screws securing the housing to the mount pan, and set it aside.
- 3] On the inside of the mount pan, there is a J-Box pattern. Measure and drill the proper holes on the J-box pattern in order to properly mount the fixture.
- 4] Remove the screw-in conduit plug on the mount pan. Pull the wires from the J-Box through the conduit hole, then secure the mount pan to the J-Box with two screws. (Not provided)
- 5] Connect the fixture leads to the supply leads. TLI stipulates the Black as Line; White as Common; Bare/Green as Ground.
- 6] Check the re-lamp label to ensure that the lamp is the specified wattage. Install lamp(s), then restore power to the fixture to ensure that the lamps are igniting.
- 7] Re-secure the reflector, and then re-secure the housing..
- 8] The Calcutta & Calcutta CA must be caulked with a suitable waterproof sealant across the top, and at least 2" down each side of the fixture to properly seal it to the mounting surface. A small space should be open at the bottom for excess moisture runoff.

### MAINTENANCE

The lens should be cleaned once every 6 months. Repeat the above procedures in reverse to remove the lens. It must be washed in a mild soap solution. DO NOT use cleansers containing bleach. Re-assemble the fixture.  
The metal portion of the fixture can be wiped clean as needed using a mild soap solution.  
**ATTENTION:** Avoid moving any exposed wires. If any wires are accidentally disconnected, call a professional to repair.

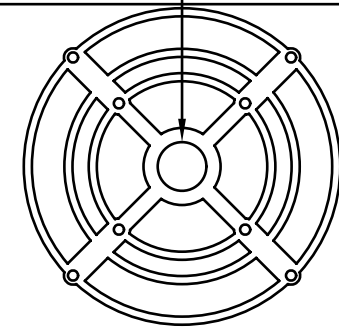
CALCUTTA MOUNT PAN  
J-BOX PATTERN

WIREWAY



CALCUTTA CA MOUNT PAN  
J-BOX PATTERN

WIREWAY



*These instructions are general to the fixtures noted.  
Due to the numerous options, all variations may  
not be covered.*

*Installation of an electrical luminaire must be  
performed by a qualified professional. The  
fixture must be wired in accordance to all  
local & national electrical codes.*