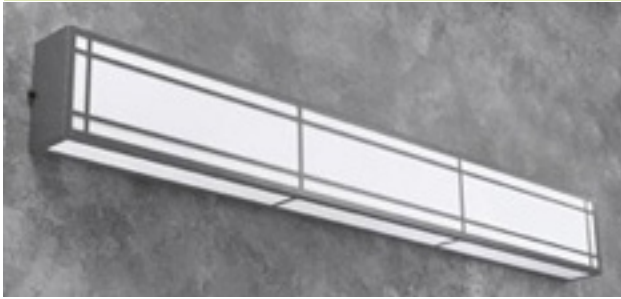


PROJECT :
TYPE :
ORDERING # :
COMMENTS :

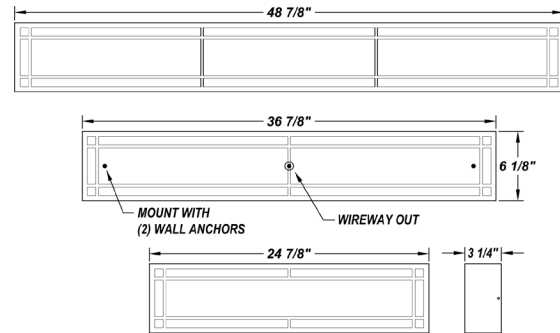
**BARTON CREEK**



LINEAR FLUORESCENT

**FEATURES**

- Steel Housing w/ Swedish Steel Powder Coat Finish
- Steel Mounting Pan w/ Hi-Reflectance White Powder Coat Finish
- Luminous White Acrylic Panels
- Steel Reflector w/ Hi-Reflectance White Powder Coat Finish
- Mounts Directly to Surface w/ Two Wall Anchors (Not Included)
- Lamps Not Included
- ETL Listed Damp Location For Wall or Ceiling Mounting  
(Ceiling Mount Not Available For T5 HO Lamping)
- ADA Compliant



**ORDERING INFORMATION**

Example : (BT24217E - 120E) Swedish Steel is Standard Finish

PRODUCT	SOURCE/WATTAGE	VOLTAGE	DIFFUSER	FINISH	OPTIONS
BT24 (24" Fixture)	BT24217E - (2) 17W T8 BT24214E - (2) 14W T5 BT24224E - HO* - (2) 24W T5	120E - 120V Electronic 277E - 277V Electronic 347E - 347V Electronic	Not Applicable	SM - Matte Silver TB - Textured Black AC - Antique Copper AS - Antique Silver BT - Bronze Mist CP - Copper KC - Kenworth Chrome SN - Sand SW - Swedish Steel BZ - Textured Bronze TW - Textured White  RAL Colors or Custom Match - Consult Factory	F - Fused MSP - Program Start Ballast (Recommended for Motion Sensor) ***
BT36 (36" Fixture)	BT36225E - (2) 25W T8 BT36221E - (2) 21W T5 BT36239E - HO* - (2) 39W T5	120E - 120V Electronic 277E - 277V Electronic 347E - 347V Electronic			
BT48 (48" Fixture)	BT48232E - (2) 32W T8 BT48228E - (2) 28W T5 BT48254E - HO* - (2) 54W T5  (HO* - High Output)	120E - 120V Electronic 277E - 277V Electronic 347E - 347V Electronic			

REPLACEMENT PARTS	PART NO.
24" White Acrylic Front Lens Panel	3028460
24" White Acrylic Side Lens Panel	3028360
36" White Acrylic Front Lens Panel	3028260
36" White Acrylic Side Lens Panel	3028160
48" White Acrylic Front Lens Panel	3028060
48" White Acrylic Side Lens Panel	3027960

**NOTES**

We reserve the right to revise the design or components of any product due to parts availability or change in UL standards, without assuming any obligation or liability to modify any products previously manufactured, and without notice.



\*\*\* For Electronic Wattage Fixtures Being Used in Conjunction With an Occupancy Sensor (Either Provided by us, or Your Own System), a Program Start Ballast is Recommended in Order to Maximize Lamp Life.