

PROJECT :
TYPE :
ORDERING # :
COMMENTS :

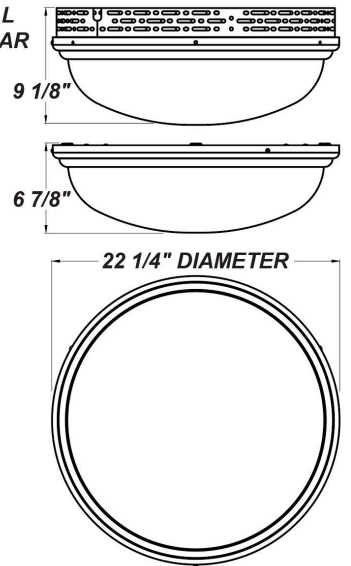
FUSION SCP LED



FEATURES

- Steel Trim w/ Matte Silver Powder Coat Finish
- Luminous White Acrylic Diffuser
- Aluminum Mounting Pan w/Hi-Reflectance White Powder Coat Finish
- Fixture Mounts Directly to Surface (Centered Over J-Box) w/ Four Washers & Wall Anchors (Not Included)
- Constant Current at 350 Milliamps
- Surge Protector
- Lighting Facts & CSA Listed Damp Location For Ceiling Mount
- IES & Photometric Files Available
- Awaiting Title 24 Labeling / Certification

OPTIONAL EB COLLAR



ORDERING INFORMATION

Example : (FUN-SCP - L50.0 - 120-277V - ZE1750 - BT - 40K) Matte Silver is Standard Finish

PRODUCT	SOURCE/WATTAGE	VOLTAGE	DRIVER	FINISH	OPTIONS
Fusion SCP	L50.0 - (4) 12.5W (40) LED Modules	120 - 277V (50 / 60Hz)	ZE1750 - 1750mA Line Voltage 4-Wire Dimming Driver (For L50.0) (Dimmable 0 - 10V)	SM - Matte Silver TB - Textured Black AC - Antique Copper AS - Antique Silver BT - Bronze Mist CP - Copper KC - Kenworth Chrome SN - Sand SW - Swedish Steel BZ - Textured Bronze TW - Textured White RAL Colors or Custom Match - Consult Factory	27K - 2700K Color Temperature 30K - 3000K Color Temperature 35K - 3500K Color Temperature 40K - 4000K Color Temperature MS - MSI-HFLUM2-WR TP - Tamper-Proof Screw Set F - Fused EB/BB - Integral Emergency Driver w/ Slotted Collar (Required) (Please Specify Voltage When Ordering) BB - Slotted Collar See Page 2 For Wattage Specifications

REPLACEMENT PARTS PART NO.

White Acrylic Lens	3052260
--------------------	---------

NOTES

Emergency Driver
Initial light output in Emergency mode will last for a minimum of 90 minutes.
EB: Iota ILB-CP10-B - Temperature Rating 0° to 55° C

We reserve the right to revise the design or components of any product due to parts availability or change in UL standards, without assuming any obligation or liability to modify any products previously manufactured, and without notice.





PROJECT :
TYPE :
ORDERING # :
COMMENTS :

PRODUCT	SOURCE/WATTAGE	27K SPECIFICATIONS	30K SPECIFICATIONS	35K SPECIFICATIONS	40K SPECIFICATIONS
Fusion SCP	L50.0 - (4) 12.5W LED Boards - Constant Current @1750mA - 50.0 Input Watts 50,000 Hours(L70)	50.0W LED ARRAY 27K - 2700K Color Temp. - 80 CRI Typ. - Constant Current at 1750 Milliamps By Driver - 50W Input = 3170.1 LED Delivered Lumens - 50.1 Delivered Lumens Per Watt	50.0W LED ARRAY 30K - 3000K Color Temp. - 80 CRI Typ. - Constant Current at 1750 Milliamps By Driver - 62W Input = 3408.7 LED Delivered Lumens - 55 Delivered Lumens Per Watt	50.0W LED ARRAY 35K - 3500K Color Temp. - 80 CRI Typ. - Constant Current at 1750 Milliamps By Driver - 62W Input = 3585.5 LED Delivered Lumens - 57.8 Delivered Lumens Per Watt	50.0W LED ARRAY 40K - 4000K Color Temp. - 80 CRI Typ. - Constant Current at 1750 Milliamps By Driver - 62W Input = 3681.4 LED Delivered Lumens - 59.4 Delivered Lumens Per Watt

TERON LIGHTING INC.
A Program of the U.S. DOE

Light Output (Lumens)	3144
Watts	60.8
Lumens per Watt (Efficacy)	51.71

Color Accuracy Color Rendering Index (CRI)	79
--	-----------

Light Color
Correlated Color Temperature (CCT) **3500 (Bright White)**

Warm White
Bright White
Daylight

2700K
3000K
4500K
6500K

Warranty**	Yes
-------------------	------------

All results, except LED Lumen Maintenance, are according to IESNA LM-79-2008: Approved Method for the Electrical and Photometric Testing of Solid-State Lighting. The U.S. Department of Energy (DOE) verifies product test data and results.

** See www.lightingfacts.com/products for details.

Registration Number: SQJL-XXCMT3 (6/12/2015)
Model Number: FUN-MON-L50.0-120V-SM-35K
Type: Luminaire - Decorative