



ARCHITECTURAL OUTDOOR

**GUARDIAN W TBT**

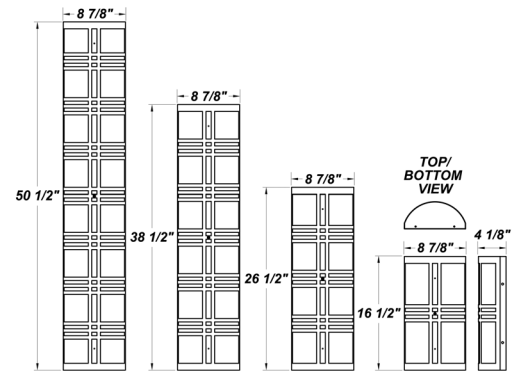


COMPACT & LINEAR FLUORESCENT

PROJECT :  
 TYPE :  
 ORDERING # :  
 COMMENTS :

**FEATURES**

- Extruded Aluminum Housing w/ Matte Silver Polyester Powder Coat Finish
- Aluminum Fascia w/ Matte Silver Polyester Powder Coat Finish
- Die Cast Aluminum End Caps w/ Matte Silver Polyester Powder Coat Finish
- High Impact White Acrylic Diffuser (50% DR Acrylic)
- Steel Reflector w/ Hi-Reflectance White Powder Coat Finish
- Recessed Steel Screws
- Fixture Mounts Directly to Surface w/ Two Wall Anchors (Not Included)
- Integral EM Battery Available (2', 3', & 4' Fixtures Only)
- Lamps Included w/ 16 1/2" Fixture
- CSA Listed Wet Location For Wall / Ceiling Mount, Vertical or Horizontal Mounting
- Motion Sensor



**ORDERING INFORMATION**

Example : (GRDW - TBT - F24217E - 120E - SN)

Matte Silver is Standard Finish

PRODUCT	SOURCE/WATTAGE	VOLTAGE	DIFFUSER	FINISH	OPTIONS
Guardian W TBT 16 1/2"	F213E - (2) 13W 4-Pin Biax F218Q - (2) 18W QE F226Q - (2) 26W QE	120E - Electronic 277E - Electronic 347E - Electronic	Not Applicable	SM - Matte Silver TB - Textured Black AC - Antique Copper AS - Antique Silver BT - Bronze Mist CP - Copper SN - Sand SW - Swedish Steel BZ - Textured Bronze TW - Textured White	41K - 4100K Color Temp.** (Standard) 35K - 3500K Color Temp.** (Not Available For F213E) 30K - 3000K Color Temp.** 27K - 2700K Color Temp.** F - Fused (Not Available For 347V) DIM - Dimming Ballast (Electronic QE Only) EBR - Remote Mount Battery (Field Installed) (See Below) EBW - Integral Emergency Battery (2', 3', & 4' Only) (See Below) TP - Tamper Resistant Screws W2L - Wire 2 Lamps to Integral Emergency Battery (T8 Lamping Only) MSP - Program Start Ballast (Recommended for Motion Sensor) *** ** Compact Fluorescent Lamps Only
Guardian W TBT 26 1/2"	F24117E - (1) 17W T8 F24217E - (2) 17W T8 F24214E - (2) 14W T5 F24224E - HO* - (2) 24W T5  (HO* - High Output)	120E - Electronic 277E - Electronic 347E - Electronic		RAL Colors or Custom Match - Consult Factory	

**REPLACEMENT PARTS**

**PART NO.**

16" White Acrylic Diffuser	3024960
26" White Acrylic Diffuser	3025960

We reserve the right to revise the design or components of any product due to parts availability or change in UL standards, without assuming any obligation or liability to modify any products previously manufactured, and without notice.

ARRA 2009



BUY AMERICA ACT



**NOTES**

**Emergency Battery Options**

Initial light output in Emergency mode will last for a minimum of 90 minutes. 1 lamp wired unless ordered otherwise. The following are suitable for indoor and damp locations. Please refer to Bodine's specification sheet.

**EBR (16 1/2" Fixture):**

Bodine's B94CG (Electronic) - Temperature Rating (Ambient) 32° F - 122° F

**EBW (26 1/2" Fixture):**

Bodine's B50LP (T8 Electronic) - Temperature Rating (Ambient) 32° F - 122° F  
 Bodine's LP550 (T5 Electronic) - Temperature Rating (Ambient) 32° F - 122° F

\*\*\* For Electronic Wattage Fixtures Being Used in Conjunction With an Occupancy Sensor (Either Provided by us, or Your Own System), a Program Start Ballast is Recommended in Order to Maximize Lamp Life.



ARCHITECTURAL OUTDOOR

**GUARDIAN W TBT**

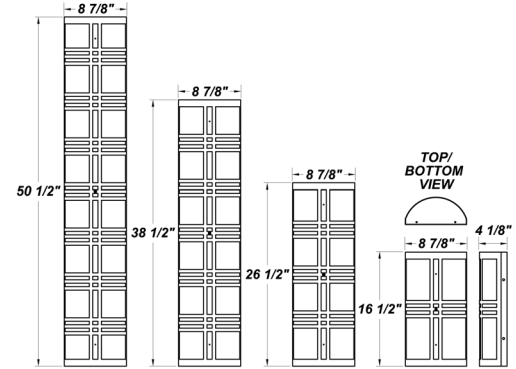


LINEAR FLUORESCENT

PROJECT :
TYPE :
ORDERING # :
COMMENTS :

**FEATURES**

- Extruded Aluminum Housing w/ Matte Silver Polyester Powder Coat Finish
- Aluminum Fascia w/ Matte Silver Polyester Powder Coat Finish
- Die Cast Aluminum End Caps w/ Matte Silver Polyester Powder Coat Finish
- High Impact White Acrylic Diffuser (50% DR Acrylic)
- Steel Reflector w/ Hi-Reflectance White Powder Coat Finish
- Recessed Steel Screws
- Fixture Mounts Directly to Surface w/ Two Wall Anchors (Not Included)
- Integral EM Battery Available (2', 3', & 4' Fixtures Only)
- Lamps Not Included
- CSA Listed Wet Location For Wall / Ceiling Mount, Vertical or Horizontal Mounting
- Motion Sensor



**ORDERING INFORMATION**

Example : (GRDW - TBT - F36225E - 120E - TB)

Matte Silver is Standard Finish

PRODUCT	SOURCE/WATTAGE	VOLTAGE	DIFFUSER	FINISH	OPTIONS
Guardian W TBT 38 1/2"	F36125E - (1) 25W T8 F36225E - (2) 25W T8 F36221E - (2) 21W T5 F36239E - HO* - (2) 39W T5	120E - Electronic 277E - Electronic 347E - Electronic	Not Applicable	SM - Matte Silver TB - Textured Black AC - Antique Copper AS - Antique Silver BT - Bronze Mist CP - Copper SN - Sand SW - Swedish Steel BZ - Textured Bronze TW - Textured White  RAL Colors or Custom Match - Consult Factory	F - Fused (Not Available For 347V) EBW - Integral Emergency Battery (2', 3', & 4' Only) (See Below) TP - Tamper Resistant Screws W2L - Wire 2 Lamps to Integral Emergency Battery (T8 Lamping Only) MSP - Program Start Ballast (Recommended for Motion Sensor) ***
Guardian W TBT 50 1/2"	F48132E - (1) 32W T8 F48232E - (2) 32W T8 F48228E - (2) 28W T5 F48254E - HO* - (2) 54W T5  (HO* - High Output)	120E - Electronic 277E - Electronic 347E - Electronic			

**REPLACEMENT PARTS**

**PART NO.**

38" White Acrylic Diffuser	3026060
50" White Acrylic Diffuser	3026160

We reserve the right to revise the design or components of any product due to parts availability or change in UL standards, without assuming any obligation or liability to modify any products previously manufactured, and without notice.

**NOTES**

**Emergency Battery Options**

Initial light output in Emergency mode will last for a minimum of 90 minutes. 1 lamp wired unless ordered otherwise. The following are suitable for indoor and damp locations. Please refer to Bodine's specification sheet.

**EBW (38 1/2" & 50 1/2" Fixtures):**

- Bodine's B50LP (T8 Electronic) - Temperature Rating (Ambient) 32° F - 122° F
- Bodine's LP550 (T5 Electronic) - Temperature Rating (Ambient) 32° F - 122° F

ARRA 2009



BUY AMERICA ACT



\*\*\* For Electronic Wattage Fixtures Being Used in Conjunction With an Occupancy Sensor (Either Provided by us, or Your Own System), a Program Start Ballast is Recommended in Order to Maximize Lamp Life.

**GUARDIAN W TBT**

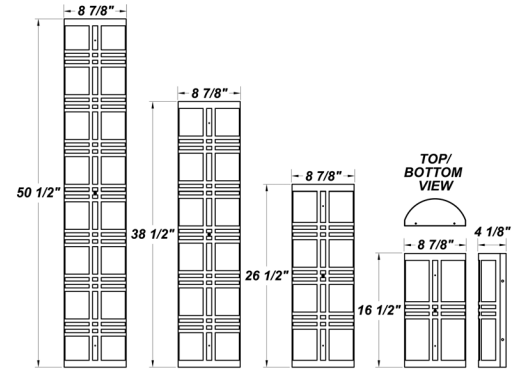


LINEAR FLUORESCENT

PROJECT :
TYPE :
ORDERING # :
COMMENTS :

**FEATURES**

- Extruded Aluminum Housing w/ Matte Silver Polyester Powder Coat Finish
- Aluminum Fascia w/ Matte Silver Polyester Powder Coat Finish
- Die Cast Aluminum End Caps w/ Matte Silver Polyester Powder Coat Finish
- High Impact White Acrylic Diffuser (50% DR Acrylic)
- Steel Reflector w/ Hi-Reflectance White Powder Coat Finish
- Recessed Steel Screws
- Fixture Mounts Directly to Surface w/ Two Wall Anchors (Not Included)
- Integral EM Battery Available (2', 3', & 4' Fixtures Only)
- CSA Listed Wet Location For Wall / Ceiling Mount, Vertical or Horizontal Mounting
- Motion Sensor



**ORDERING INFORMATION**

Example : (GRDW - TBT - F36239E / 124E - HO - 120E - CP)

Matte Silver is Standard Finish

PRODUCT	SOURCE/WATTAGE	VOLTAGE	DIFFUSER	FINISH	OPTIONS
Guardian W TBT 26 1/2"	F24317E - (3) 17W T8 F24314E - (3) 14W T5	120E - Electronic 277E - Electronic 347E - Electronic	Not Applicable	SM - Matte Silver TB - Textured Black AC - Antique Copper AS - Antique Silver BT - Bronze Mist CP - Copper SN - Sand SW - Swedish Steel BZ - Textured Bronze TW - Textured White	F - Fused (Not Available For 347V) EBW - Integral Emergency Battery (2', 3', & 4' Only) (See Below) TP - Tamper Resistant Screws W2L - Wire 2 Lamps to Integral Emergency Battery (T8 Lamping Only) MSP - Program Start Ballast (Recommended for Motion Sensor) ***
Guardian W TBT 38 1/2"	F36225E/117E - (2) 25W T8 & (1) 17W T8 F36325E - (3) 25W T8 F36221E/114E - (2) 21W T5 & (1) 14W T5 F36221E/124E - (2) 21W T5 & (1) 24W T5 HO F36239E/114E - (2) 39W T5 HO & (1) 14W T5 F36239E/124E - HO - (2) 39W T5 HO & (1) 24W T5 HO	120E - Electronic 277E - Electronic 347E - Electronic			
Guardian W TBT 50 1/2"	F48232E/117E - (2) 32W T8 & (1) 17W T8 F48332E - (3) 32W T8 F48228E/114E - (2) 28W T5 & (1) 14W T5 F48228E/124E - HO - (2) 28W T5 & (1) 24W T5 HO F48254E/114E - (2) 54W T5 HO & (1) 14W T5 F48254E/124E - HO - (2) 54W T5 HO & (1) 24W T5 HO (HO* - High Output)	120E - Electronic 277E - Electronic 347E - Electronic		RAL Colors or Custom Match - Consult Factory	

**REPLACEMENT PARTS**

**PART NO.**

26" White Acrylic Diffuser	3025960
38" White Acrylic Diffuser	3026060
50" White Acrylic Diffuser	3026160

We reserve the right to revise the design or components of any product due to parts availability or change in UL standards, without assuming any obligation or liability to modify any products previously manufactured, and without notice.

**NOTES**

**Emergency Battery Options**

Initial light output in Emergency mode will last for a minimum of 90 minutes. 1 lamp wired unless ordered otherwise. The following are suitable for indoor and damp locations. Please refer to Bodine's specification sheet.

**EBW:**

Bodine's B50LP (T8 Electronic) - Temperature Rating (Ambient) 32° F - 122° F  
Bodine's LP550 (T5 Electronic) - Temperature Rating (Ambient) 32° F - 122° F

ARRA 2009



BUY AMERICA ACT

VANDAL RESISTANT

C

US

UL

\*\*\* For Electronic Wattage Fixtures Being Used in Conjunction With an Occupancy Sensor (Either Provided by us, or Your Own System), a Program Start Ballast is Recommended in Order to Maximize Lamp Life.