

OASIS FLUORESCENT



Shown with MSE

PROJECT :
TYPE :
ORDERING # :
COMMENTS :

FEATURES

- Steel Mounting Pan w/ Hi-Reflectance White Powder Coat Finish
- Steel Reflector w/ Hi-Reflectance White Powder Coat Finish
- Steel End Caps w/ White Powder Coat Finish
- Clear Acrylic Lens w/ Ribbed Sides and Prismatic Front
- Mounts Directly to Wall or Ceiling w/ Two Wall Anchors (Not Included)
- Integral EM Battery Available (3' & 4' Fixtures Only) (120 -277V Only)
- Lamps Not Included
- CSA Listed Damp Location

OPTIONAL MOTION SENSORS

- The FS-505 is an External Motion Sensor Contained in an Attached Compartment
- To be Mounted Horizontally on Wall
(See Page 5 For Manufacturer Specific Application & Coverage Patterns.)
- The HFLUM2-WR is an Internal Microwave Motion Sensor
- May be Mounted on Wall or Ceiling

ORDERING INFORMATION

Example : (OAS48232E - 120E - SDB40 - WH - MSE)

White is Standard Finish

PRODUCT	SOURCE/WATTAGE	VOLTAGE	DIMMING CONFIG	FINISH	OPTIONS
Oasis 24" Fixture	OAS24117E - (1) 17W T8	120E - 120V Electronic 277E - 277V Electronic 347E - 347V Electronic (Not available for T5HO)	SDB10 - Lamps Set at 10% Output w/ No Occupancy & 100% Output w/ Occupancy (See Pg. 2) (120V / 277V Only)	WH - White (Standard) SM - Matte Silver TB - Textured Black AC - Antique Copper AS - Antique Silver BT - Bronze Mist CP - Copper KC - Kenworth Chrome SN - Sand SW - Swedish Steel BZ - Textured Bronze TW - Textured White	F - Fused (120V / 277V Only) MSE - Watt-Stopper FS505 External Motion Sensor (Will Add 1 11/16" to Fixture Depth) (See Page 2 For Fixture Dimensions) MSI - Steinel HFLUM2-WR Internal Motion Sensor (120V / 277V Only) (See Page 2 For Fixture Dimensions) EB - Integral Emergency Battery** (3' and 4' Only) (120-277V Only) EBR - Remote Emergency Battery** (Field-Installed)(3' and 4' Only) (120-277V Only) W2L - Wire 2 Lamps to Integral Emergency Battery (T8 Lamping Only) MSP - Program Start Ballast (Standard w/ Motion Sensor) ***
	OAS24217E - (2) 17W T8				
	OAS24114E - (1) 14W T5				
	OAS24214E - (2) 14W T5				
	OAS24124E - HO - (1) 24W T5 OAS24224E - HO - (2) 24W T5				
Oasis 36" Fixture	OAS36125E - (1) 25W T8	SDB40 - Lamps Set at 40% Output w/ No Occupancy & 100% Output w/ Occupancy (See Pg. 2) (120V / 277V Only)	SDB50 - Lamps Set at 50% Output w/ No Occupancy & 100% Output w/ Occupancy (See Pg. 2) (120V / 277V Only)	RAL Colors or Custom Match - Consult Factory	
	OAS36225E - (2) 25W T8				
	OAS36121E - (1) 21W T5				
	OAS36221E - (2) 21W T5				
	OAS36139E - HO - (1) 39W T5 OAS36239E - HO - (2) 39W T5				
Oasis 48" Fixture	OAS48132E - (1) 32W T8	Please Refer to Page 2 for Step-Dim & MS2B Specifications, Options, and Restrictions			
	OAS48232E - (2) 32W T8				
	OAS48128E - (1) 28W T5				
	OAS48228E - (2) 28W T5				
	OAS48154E - HO - (1) 54W T5 OAS48254E - HO - (2) 54W T5				

REPLACEMENT PARTS

PART NO.

24" Clear Acrylic Diffuser	30909
36" Clear Acrylic Diffuser	30907
48" Clear Acrylic Diffuser	30904

We reserve the right to revise the design or components of any product due to parts availability or change in UL standards, without assuming any obligation or liability to modify any products previously manufactured, and without notice.

NOTES

****Emergency Battery Options (120 - 277V Only)**

Initial light output in Emergency mode will last for a minimum of 90 minutes. 1 lamp wired unless ordered otherwise. The following are suitable for indoor and damp locations. Please refer to Bodine's specification sheet

EB1: Bodine's B90 (Electronic) - Temperature Rating (Ambient) 32° F - 122° F (Runs 1 T8 Lamp)

EB2: Bodine's B50 (Electronic) - Temperature Rating (Ambient) 32° F - 122° F (Runs 2 T8, 1 T5 or 1 T5HO Lamp) (T5HO for Wall Mount Only)

EBR: Bodine's B30 (Electronic) - Temperature Rating (Ambient) 32° F - 122° F (Remote Mount for T8 or T5 Lamping / Runs 2 T8, 1 T5 or 1 T5HO Lamp)

*** For Electronic Wattage Fixtures Being Used in Conjunction With an Occupancy Sensor (Either Provided by us, or Your Own System), a Program Start Ballast is Recommended in Order to Maximize Lamp Life.



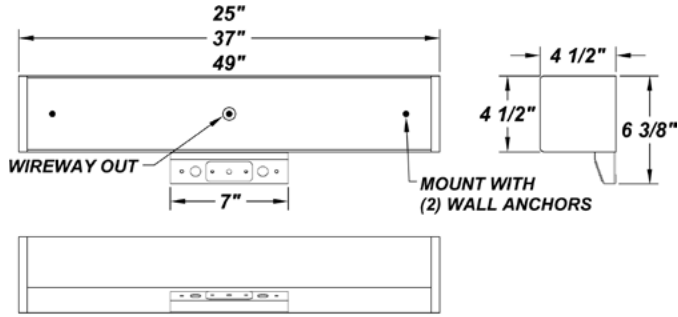
PROJECT :
TYPE :
ORDERING # :
COMMENTS :

OASIS FLUORESCENT

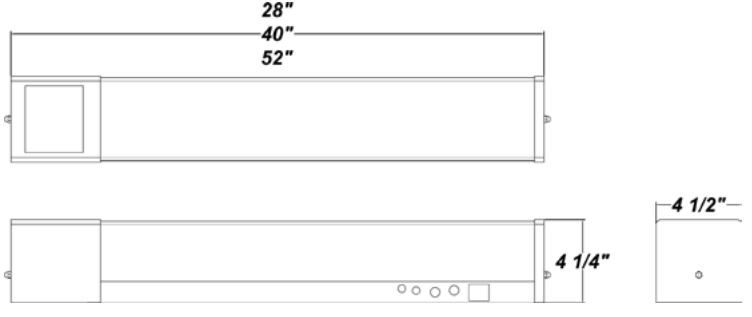


DIMMING APPLICATIONS & RESTRICTIONS

- Step-Dimming is available at 10% and 40% for 25W and 32W T8 Linear Lamps
 - Emergency Battery is not available for use with the 10% and 40% Step-Dim option
 - Ballast used is the **Robertson brand #PSL232T8MV3D**
- Step-Dimming is available at 50% for 17W, 25W, and 32W T8 Linear Lamps
 - Emergency Battery is available for use with the 50% Step-Dim option
 - Ballast used is the **Universal brand #B232PUS50-A**
- Step-Dimming is available at 50% for 14W, 21W and 28W T5 Linear Lamps
 - Emergency Battery is available for use with the 50% Step-Dim option
 - Ballast used is the **Philips Advance brand #IOP-2S28-95-SC-SD**
- All 3 ballasts meet California's Title 24 requirement by reducing power by 50% or more



MSE (FS-505) OPTION



MSI (HFLUM2-WR) OPTION

MOTION SENSOR WITH 2 BALLASTS "MS2B" APPLICATIONS & RESTRICTIONS

- The "MS2B" option is intended to have one lamp providing 100% constant light output, while the other lamp is connected to the Motion Sensor. Two ballasts are required with this option
- Emergency Battery is available in conjunction with the "MS2B" option for sizes 36" or larger

REPLACEMENT PARTS

REPLACEMENT PARTS	PART NO.
24" Clear Acrylic Diffuser	30909
36" Clear Acrylic Diffuser	30907
48" Clear Acrylic Diffuser	30904

We reserve the right to revise the design or components of any product due to parts availability or change in UL standards, without assuming any obligation or liability to modify any products previously manufactured, and without notice.

NOTES

****Emergency Battery Options (120 - 277V Only)**
Initial light output in Emergency mode will last for a minimum of 90 minutes. 1 lamp wired unless ordered otherwise. The following are suitable for indoor and damp locations. Please refer to Bodine's specification sheet

EB1: Bodine's B90 (Electronic) - Temperature Rating (Ambient) 32° F - 122° F (Runs 1 T8 Lamp)

EB2: Bodine's B50 (Electronic) - Temperature Rating (Ambient) 32° F - 122° F (Runs 2 T8, 1 T5 or 1 T5HO Lamps) (T5HO for Wall Mount Only)

EBR: Bodine's B30 (T8 Electronic) - Temperature Rating (Ambient) 32° F - 122° F (Remote Mount for T8 or T5 Lamping / Runs 2 T8, 1 T5 or 1 T5HO Lamps)

