

PROJECT :
TYPE :
ORDERING # :
COMMENTS :

MYRTLE BEACH II LED

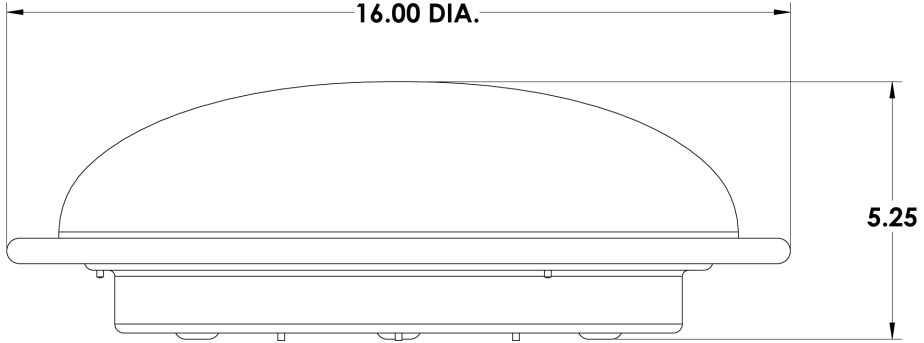


FEATURES

- Luminous White Acrylic Diffuser
- Aluminum Mounting Pan & Stems w/ Matte Silver Powder Coat Finish
- Mounts Directly to 4" Junction Box (By Others)
- Mounting Hardware Included
- CSA Listed Damp Location

DRIVER FEATURES

- 0-10V Dimmable Driver 120 - 277V
- Over-Current, Open Circuit, and Short Circuit Protection
- High Power Factor
- UL Class 2 Driver
- Reported Life Expectancy: L70 > 36,000 hours at Tc < 85°C
- Calculated Life Expectancy: L70 = 93,000 hours at Tc < 85°C



ORDERING INFORMATION

Example : (MHT - L16.0 - 120-277V - ZE560 - SW - 30K) Matte Silver is Standard Finish

PRODUCT	SOURCE/WATTAGE	VOLTAGE	DRIVER OPTIONS	FINISH	OPTIONS
MHT					
Myrtle Beach II	L16.0 - 16.0W LED Array	120 - 277V (50 / 60Hz)	ZE560 - 560mA Line Voltage 4-Wire Dimming Driver (Dimmable 0 - 10V)	SM - Matte Silver (Standard) BK - Black TB - Textured Black AC - Antique Copper AS - Antique Silver BT - Bronze Mist CP - Copper SN - Sand SW - Swedish Steel BZ - Textured Bronze TW - Textured White RAL Colors or Custom Match - Consult Factory	16.0W LED ARRAY 30K - 3000K Color Temp. 16.2W Input = 1700 System Lumens - 105 System Lumens Per Watt 40K - 4000K Color Temp. 16.2W Input = 1750 System Lumens - 108 System Lumens Per Watt 50K - 5000K Color Temp. 16.2W Input = 1800 System Lumens - 111 System Lumens Per Watt
	L20.0 - 20.0W LED Array	20.0W LED ARRAY 30K - 3000K Color Temp. 19.0W Input = 1550 System Lumens - 81.6 Delivered Lumens Per Watt 40K - 4000K Color Temp. 19W Input = 1601 System Lumens - 84.3 Delivered Lumens Per Watt 50K - 5000K Color Temp. 19W Input = 1641 System Lumens - 86.4 Delivered Lumens Per Watt F - Fused			

REPLACEMENT PARTS	PART NO.
White Acrylic Diffuser	3021460

NOTES

We reserve the right to revise the design or components of any product due to parts availability or change in UL standards, without assuming any obligation or liability to modify any products previously manufactured, and without notice.