

PROJECT :
TYPE :
ORDERING # :
COMMENTS :

**BIRDIE POLY OVAL**

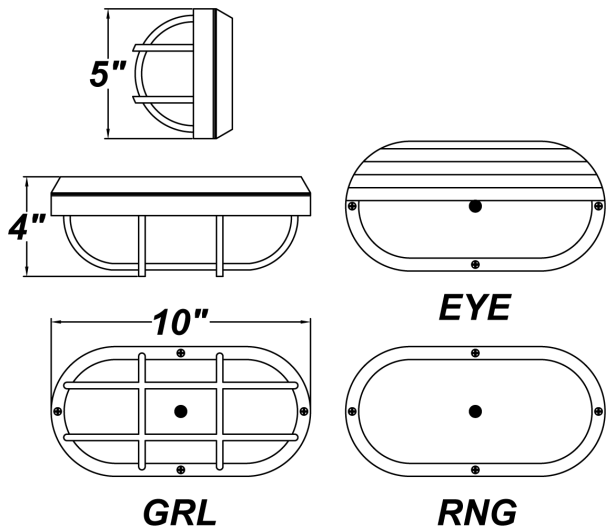
**FEATURES**



- White Polycarbonate Housing
- White Polycarbonate Fascia
- Frosted White Polycarbonate Lens
- Mounts Directly to 4" Junction Box (By Others)
- Mounting Hardware Included
- Lamp Included
- ETL Listed Wet Location For Wall or Ceiling Mount



COMPACT FLUORESCENT



**ORDERING INFORMATION**

Example : (BEO118Q - RNG - 120E - 41K - WH) White is Standard Finish

PRODUCT	SOURCE/WATTAGE	VOLTAGE	FASCIA	FINISH	OPTIONS
Birdie Poly Oval	BEO113Q - (1) 13W QE BEO118Q - (1) 18W QE	120E - Electronic 120V	GRL - Grill (Standard) RNG - Ring EYE - Eye	WH - White Polycarbonate (Standard) BK - Black Polycarbonate	41K - 4100K Color Temp. 35K - 3500K Color Temp. 27K - 2700K Color Temp. (Standard) F - Fused TP - Tamper Resistant Screws PCL120 - Photocell 120V

**REPLACEMENT PARTS**

	PART NO.
White Polycarbonate Lens	3400660
Birdie Poly Oval White GRL Fascia	5501402
Birdie Poly Oval Black GRL Fascia	5501401
Birdie Poly Oval White EYE Fascia	5501602
Birdie Poly Oval Black EYE Fascia	5501601
Birdie Poly Oval White RNG Fascia	5509802
Birdie Poly Oval Black RNG Fascia	5509801

**NOTES**

We reserve the right to revise the design or components of any product due to parts availability or change in UL standards, without assuming any obligation or liability to modify any products previously manufactured, and without notice.

