

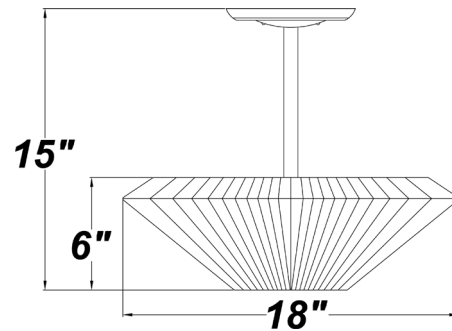
PROJECT :
TYPE :
ORDERING # :
COMMENTS :

**18" FLYING SAUCER SEMI-FLUSH**

**FEATURES**



- 6.625" Cast Zinc Canopy
- Steel Trim w/ Satin Nickel Plated Finish
- Off White Butcher Linen Shade
- Acrylic Diffuser Included
- Mounting Hardware Included
- 2 Medium Base Sockets
- For Use With Incandescent, Compact Fluorescent, or LED Screw-In Lamp (Lamps Not Included)
- Use Lamping up to:
  - 100W Incandescent
  - 27W Compact Fluorescent
  - 19W LED
- Optional GU Base Socket Adaptor Available (Must be Used With 120V Only)
- Dry Location



**ORDERING INFORMATION**

Example : (SF-2111 - 715-05 - 383 - SN) Off-White Butcher Linen is Standard

PRODUCT	OUTER SHADE		STYLE	TRIM FINISH	INNER SHADE	OPTION
Semi-Flush & Hardware (SF-2111)	151-56 - Gold Organza	151-97 - Silver Organza	383 - 18" Flying Saucer Semi-Flush	SN - Satin Nickel (Standard) OB - Oil Brushed Bronze	Not Applicable	GUA - GU-Base Socket Adaptor
	115-01 - White Butcher Linen	115-62 - Black Butcher Linen				
	115-96 - Red Butcher Linen	715-05 - Off White Butcher Linen				
	174-25 - Chocolate Silk Shantung	136-33 - Oyster Silksheen				
	146-13 - Buff Odyssey	180-05 - Camelot Off-White Hardback				
	160-04 - Natural Bombay					



**NOTES**

We reserve the right to revise the design or components of any product due to parts availability or change in UL standards, without assuming any obligation or liability to modify any products previously manufactured, and without notice.