

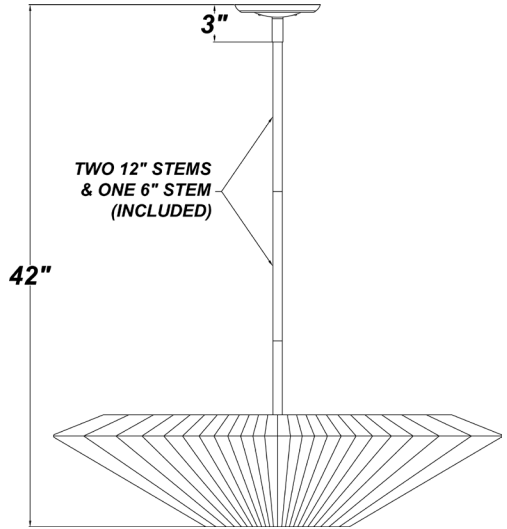
|              |
|--------------|
| PROJECT :    |
| TYPE :       |
| ORDERING # : |
| COMMENTS :   |

**36" FLYING SAUCER PENDANT**

**FEATURES**



- 6.625" Cast Zinc Canopy
- Steel Trim w/ Satin Nickel Plated Finish
- Natural Butcher Linen Shade
- Acrylic Diffuser Included
- Mounting Hardware Included
- 3 Medium Base Sockets
- For Use With Incandescent, Compact Fluorescent, or LED Screw-In Lamp (Lamps Not Included)
- Use Lamping up to:
  - 100W Incandescent
  - 27W Compact Fluorescent
  - 19W LED
- Optional GU Base Socket Adaptor Available (Must be Used With 120V Only)
- 42" Maximum Length
- Dry Location



**ORDERING INFORMATION**

Example : (PD-2111 - 715-04 - 382 - SN) Natural Butcher Linen is Standard

| PRODUCT                      | SHADE                            |                                  | STYLE                           | TRIM FINISH   | OPTION                       |
|------------------------------|----------------------------------|----------------------------------|---------------------------------|---|------------------------------|
| Pendant & Hardware (PD-2111) | 715-04 - Natural Butcher Linen   | 151-97 - Silver Organza          | 382 - 36" Flying Saucer Pendant | SN - Satin Nickel (Standard)<br>OB - Oil Brushed Bronze | GUA - GU-Base Socket Adaptor |
|                              | 115-01 - White Butcher Linen     | 115-62 - Black Butcher Linen     |                                 |   |                              |
|                              | 115-96 - Red Butcher Linen       | 115-05 - Off White Butcher Linen |                                 |   |                              |
|                              | 174-25 - Chocolate Silk Shantung | 136-33 - Oyster Silksheen        |                                 |   |                              |
|                              | 146-13 - Buff Odyssey            | 180-01 - Camelot White Hardback  |                                 |   |                              |
|                              | 160-04 - Natural Bombay          | 151-56 - Gold Organza            |                                 |   |                              |



**NOTES**

We reserve the right to revise the design or components of any product due to parts availability or change in UL standards, without assuming any obligation or liability to modify any products previously manufactured, and without notice.