

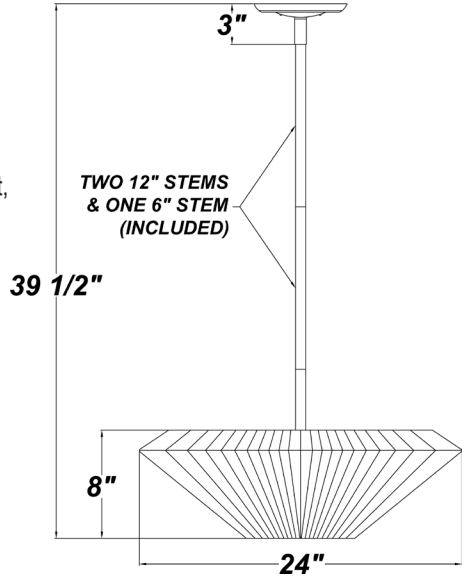
PROJECT :
TYPE :
ORDERING # :
COMMENTS :

24" FLYING SAUCER

FEATURES



- 6.625" Cast Zinc Canopy
- Steel Trim w/ Satin Nickel Plated Finish
- Natural Butcher Linen Shade
- Acrylic Diffuser Included
- Mounting Hardware Included
- 3 Medium Base Sockets
- For Use With Incandescent, Compact Fluorescent, or LED Screw-In Lamp (Lamps Not Included)
- Use Lamping up to:
 - 100W Incandescent
 - 27W Compact Fluorescent
 - 19W LED
- Optional GU Base Socket Adaptor Available (Must be Used With 120V Only)
- Dry Location



ORDERING INFORMATION

Example : (PD-2111 - 715-04 - 380 - SN) Natural Butcher Linen is Standard

PRODUCT	SHADE		STYLE	TRIM FINISH	OPTION
Pendant & Hardware (PD-2111)	715-04 - Natural Butcher Linen	151-97 - Silver Organza	380 - 24" Flying Saucer Pendant	SN - Satin Nickel (Standard)	GUA - GU-Base Socket Adaptor
	115-01 - White Butcher Linen	115-62 - Black Butcher Linen		OB - Oil Brushed Bronze	
	115-96 - Red Butcher Linen	115-05 - Off White Butcher Linen			
	174-25 - Chocolate Silk Shantung	136-33 - Oyster Silksheen			
	146-13 - Buff Odyssey	180-01 - Camelot White Hardback			
	160-04 - Natural Bombay	151-56 - Gold Organza			



NOTES

We reserve the right to revise the design or components of any product due to parts availability or change in UL standards, without assuming any obligation or liability to modify any products previously manufactured, and without notice.