

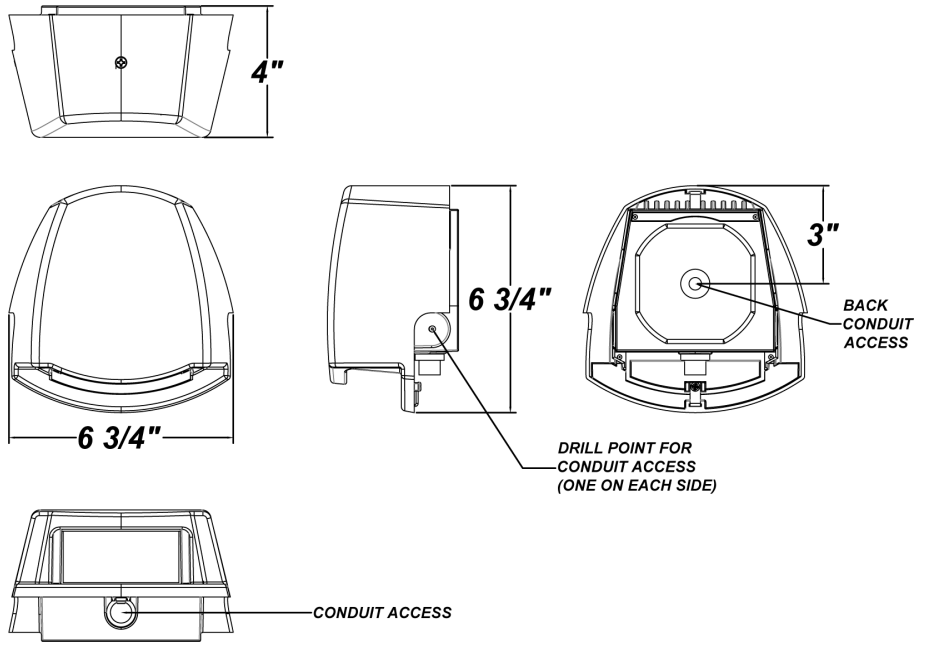
PROJECT :
TYPE :
ORDERING # :
COMMENTS :

**LANCER LED**

**FEATURES**



- Die-Cast Aluminum Housing w/ Textured Bronze Polyester Powder Coat Finish
- Surge Protector
- Mounts Directly to Junction Box
- CSA Listed For Wall Mount & Down Light Only
- Constant Current Dimming Available
- LED Light Source - 11W Nominal
- 120V - 277V
- ADA Compliant



**ORDERING INFORMATION**

Example : (LCR - L10.8 - 120V-277V - TE350 - BZ - 30K) Textured Bronze is Standard Finish

PRODUCT	SOURCE/WATTAGE	VOLTAGE	DRIVER OPTIONS	FINISH	OPTIONS
Lancer LED	L10.8 - (1) 10.8W Module	120V - 277V (50/60 Hz)	LE350 - 350mA Phase Dimming Driver <b>(Dimmable @ 120V Only)</b>  TE350* - 350mA Low Voltage Dimming Electronic Driver  * For Use With Electronic Low Voltage Dimmers	BZ - Textured Bronze SM - Matte Silver TB - Textured Black AC - Antique Copper AS - Antique Silver BT - Bronze Mist CP - Copper SN - Sand SW - Swedish Steel TW - Textured White RAL Colors or Custom Match - Consult Factory NOTE: Front Cover Only Being Painted	27K - 2700K Color Temp. 30K - 3000K Color Temp. 40K - 4000K Color Temp. PCL120 - Photocell 120V PCL277 - Photocell 277V

**NOTES**

\*\*Definition of 40,000 hours: Lifetime Rating is Based on Lamp Manufacturers' LM80 Test Results Which Utilized an Exponentially Decaying Model, a Standard Used by The Department of Energy, as Well as by Other Manufacturers.

We reserve the right to revise the design or components of any product due to parts availability or change in UL standards, without assuming any obligation or liability to modify any products previously manufactured, and without notice.





PROJECT :
TYPE :
ORDERING # :
COMMENTS :

PRODUCT	SOURCE/WATTAGE	27K SPECIFICATIONS	30K SPECIFICATIONS	40K SPECIFICATIONS
Lancer LED	L10.8 - 10.8W LED Module	<b>L10.8</b> <b>27K - 2700K Color Temp.</b> - 27 fV, Color Temp = 2700K Nominal - Constant Current 350 Milliamps Driver - 11W Nominal Output = 930 LED Lumens - Estimated 84.5 Lumens Per Watt	<b>L10.8</b> <b>30K - 3000K Color Temp.</b> - 27 fV, Color Temp = 3000K Nominal - Constant Current 350 Milliamps Driver - 11W Nominal Output = 1000 LED Lumens - Estimated 90.1 Lumens Per Watt	<b>L10.8</b> <b>40K - 4000K Color Temp.</b> - 27 fV, Color Temp = 4000K Nominal - Constant Current 350 Milliamps Driver - 11W Nominal Output = 1060 LED Lumens - Estimated 96.3 Lumens Per Watt

