

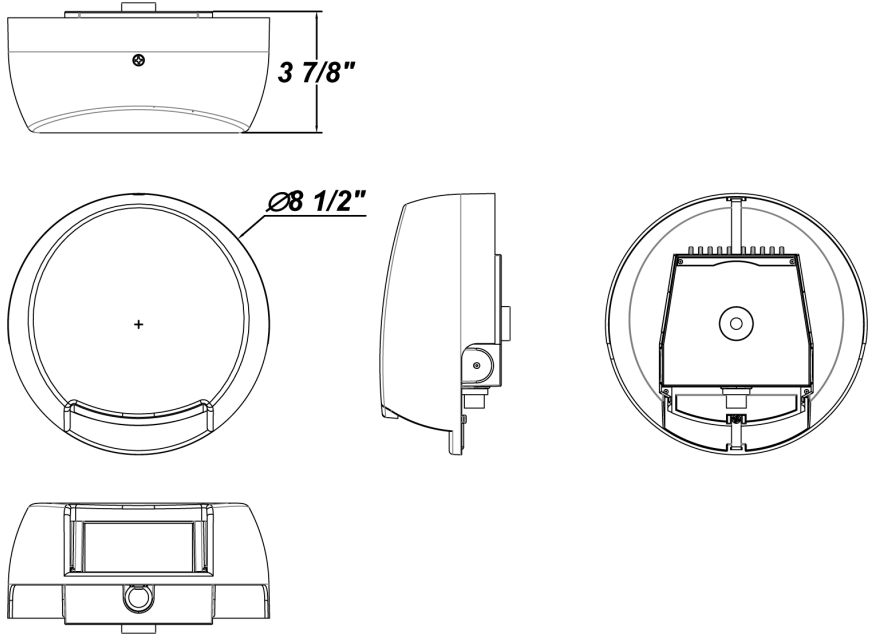
| |
|--------------|
| PROJECT : |
| TYPE : |
| ORDERING # : |
| COMMENTS : |

DREXEL LED

FEATURES



- Die-Cast Aluminum Housing w/ Textured Bronze polyester Powder Coat Finish
- Constant Current Dimming available
- LED Light Source - 11W nominal
- CSA Listed Wet Location For Wall Mount
- Surge Protector
- 120V - 277V
- Mounts Directly to Junction Box
- ADA Compliant



ORDERING INFORMATION

Example : (DRX - L10.8 - 120-277V - LE350 - BZ - 30K) Textured Bronze is Standard Finish

| PRODUCT | SOURCE/WATTAGE | VOLTAGE | DRIVER OPTIONS | FINISH | OPTIONS |
|------------|-----------------------|--------------------------|--|----------------------|---|
| Drexel LED | L10.8 - (1) 10.8W LED | 120 - 277V (50/60 Hz) | LE350 - 350mA Phase Dimming Driver (Dimmable @ 120V Only) TE350 - 350mA Low Voltage Dimming Electronic Driver | BZ - Textured Bronze | 27K - 2700K Color Temperature 30K - 3000K Color Temperature 40K - 4000K Color Temperature PCL120V - Photocell 120V PCL277V - Photocell 277V |

NOTES

We reserve the right to revise the design or components of any product due to parts availability or change in UL standards, without assuming any obligation or liability to modify any products previously manufactured, and without notice.

**Definition of 40,000 hours: Lifetime Rating is Based on Lamp Manufacturers' LM80 Test Results Which Utilized an Exponentially Decaying Model, a Standard Used by The Department of Energy, as Well as by Other Manufacturers.





| |
|--------------|
| PROJECT : |
| TYPE : |
| ORDERING # : |
| COMMENTS : |

| PRODUCT | SOURCE/WATTAGE | 27K SPECIFICATIONS | 30K SPECIFICATIONS | 40K SPECIFICATIONS |
|------------|--------------------------|---|--|--|
| Drexel LED | L10.8 - 10.8W LED Module | L10.8 27K - 2700K Color Temp. - 27 fV, Color Temp = 2700K Nominal - Constant Current 350 Milliamps Driver - 11W Nominal Output = 930 LED Lumens - Estimated 84.5 Lumens Per Watt | L10.8 30K - 3000K Color Temp. - 27 fV, Color Temp = 3000K Nominal - Constant Current 350 Milliamps Driver - 11W Nominal Output = 1000 LED Lumens - Estimated 90.1 Lumens Per Watt | L10.8 40K - 4000K Color Temp. - 27 fV, Color Temp = 4000K Nominal - Constant Current 350 Milliamps Driver - 11W Nominal Output = 1060 LED Lumens - Estimated 96.3 Lumens Per Watt |

ARRA 2009



BUY AMERICA ACT