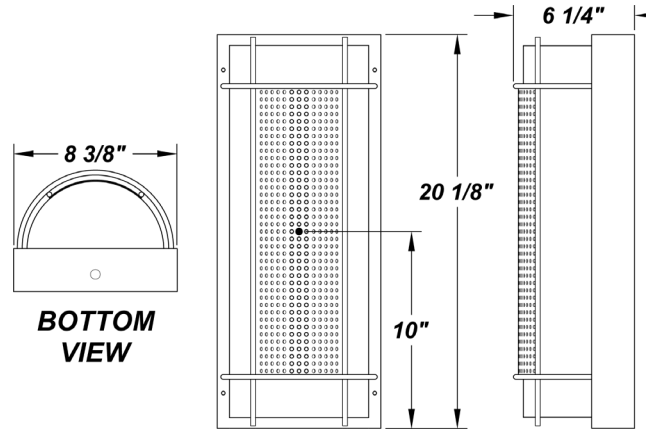


**ROYAL EB CNC LED**

PROJECT :
TYPE :
ORDERING # :
COMMENTS :

**FEATURES**

- Steel Fascia w/ Textured Black Polyester Powder Coat Finish
- Luminous White 75% DR Acrylic Diffuser
- Steel Mounting Pan w/ Hi-Reflectance White Powder Coat Finish
- Mounts Directly to 4" Junction Box (By Others)
- Over-Voltage, Over-Current, and Short-Circuit Protection w/ Auto Recovery
- Constant Current, Dimmable to 10% From 120V to 230V
- Mounting Hardware Included
- CSA Listed Wet Location
- Integral EM Battery Available



**ORDERING INFORMATION**

Example : (RLB-CNC - L35.0 - ZE1150 - 120V - TB - 30K - EB)

Textured Black is Standard Finish

PRODUCT	SOURCE/WATTAGE	VOLTAGE	DIFFUSER	FINISH	OPTIONS
Royal EB CNC	<p><b>L20.0 - ZE700</b> 20W 700mA Low Voltage Dimming Electronic Driver (For L20.0) (Dimmable 0 - 10V)</p> <p><b>L25.0 - ZE875</b> 25W 875mA Low Voltage Dimming Electronic Driver (For L25.0) (Dimmable 0 - 10V)</p> <p><b>L35.0 - ZE1150</b> 25W 1150mA Low Voltage Dimming Electronic Driver (For L35.0) (Dimmable 0 - 10V)</p>	<p>120V - 120V 277V - 277V</p> <p>(50 / 60Hz)</p>	Not Applicable	<p>SM - Matte Silver TB - Textured Black AC - Antique Copper AS - Antique Silver BT - Bronze Mist CP - Copper SN - Sand SW - Swedish Steel BZ - Textured Bronze TW - Textured White</p> <p>RAL Colors or Custom Match - Consult Factory</p>	<p>30K - 3000K Color Temp. 35K - 3500K Color Temp. 40K - 4000K Color Temp. 50K - 5000K Color Temp. F - Fused EB - Bodine BSL26 - Up to 5.1W Emergency Illumination With LEDs - AC Mode 960 Lumens - Battery @ 1 second = 322 Total Lumens - Battery @ 90 Minutes = 291 Total Lumens (Please Specify Voltage)</p>

**REPLACEMENT PARTS**

**PART NO.**

White 75% DR Acrylic Lens

3051160

**NOTES**

We reserve the right to revise the design or components of any product due to parts availability or change in UL standards, without assuming any obligation or liability to modify any products previously manufactured, and without notice.

ARRA 2009



BUY AMERICA ACT





PROJECT :
TYPE :
ORDERING # :
COMMENTS :

PRODUCT	SOURCE/WATTAGE	30K SPECIFICATIONS	35K SPECIFICATIONS
Royal EB CNC	L20.0- 20.0W LED	<p><b>L20.0</b></p> <p><b>30K</b> - 3000K Color Temp.</p> <ul style="list-style-type: none"> <li>- 3 LED Modules Per Fixture</li> <li>- 34 fV, Color Temp = 3000K Nominal</li> <li>- Constant Current 700 Milliamps Driver</li> <li>- 2309 Board Lumens</li> <li>- 115.5 Board Lumens Per Watt</li> </ul>	<p><b>L20.0</b></p> <p><b>35K</b> - 3500K Color Temp.</p> <ul style="list-style-type: none"> <li>- 3 LED Modules Per Fixture</li> <li>- 34 fV, Color Temp = 3500K Nominal</li> <li>- Constant Current 700 Milliamps Driver</li> <li>- 2379 Board Lumens</li> <li>- 119.0 Board Lumens Per Watt</li> </ul>
	L25.0 - 25.0W LED	<p><b>L25.0</b></p> <p><b>30K</b> - 3000K Color Temp.</p> <ul style="list-style-type: none"> <li>- 3 LED Modules Per Fixture</li> <li>- 34 fV, Color Temp = 3000K Nominal</li> <li>- Constant Current 875 Milliamps Driver</li> <li>- 2887 Board Lumens</li> <li>- 115.5 Board Lumens Per Watt</li> </ul>	<p><b>L25.0</b></p> <p><b>35K</b> - 3500K Color Temp.</p> <ul style="list-style-type: none"> <li>- 3 LED Modules Per Fixture</li> <li>- 34 fV, Color Temp = 3500K Nominal</li> <li>- Constant Current 875 Milliamps Driver</li> <li>- 2973 Board Lumens</li> <li>- 119.0 Board Lumens Per Watt</li> </ul>
	L35.0 - 35.0W LED	<p><b>L35.0</b></p> <p><b>30K</b> - 3000K Color Temp.</p> <ul style="list-style-type: none"> <li>- 3 LED Modules Per Fixture</li> <li>- 34 fV, Color Temp = 3000K Nominal</li> <li>- Constant Current 1150 Milliamps Driver</li> <li>- 3926 Board Lumens</li> <li>- 112.2 Board Lumens Per Watt</li> </ul>	<p><b>L35.0</b></p> <p><b>35K</b> - 3500K Color Temp.</p> <ul style="list-style-type: none"> <li>- 3 LED Modules Per Fixture</li> <li>- 34 fV, Color Temp = 3500K Nominal</li> <li>- Constant Current 1150 Milliamps Driver</li> <li>- 4044 Board Lumens</li> <li>- 115.5 Board Lumens Per Watt</li> </ul>

PRODUCT	SOURCE/WATTAGE	40K SPECIFICATIONS	50K SPECIFICATIONS
Royal EB CNC	L20.0- 20.0W LED	<p><b>L20.0</b></p> <p><b>40K</b> - 4000K Color Temp.</p> <ul style="list-style-type: none"> <li>- 3 LED Modules Per Fixture</li> <li>- 34 fV, Color Temp = 3000K Nominal</li> <li>- Constant Current 700 Milliamps Driver</li> <li>- 2471 Board Lumens</li> <li>- 123.6 Board Lumens Per Watt</li> </ul>	<p><b>L20.0</b></p> <p><b>50K</b> - 5000K Color Temp.</p> <ul style="list-style-type: none"> <li>- 3 LED Modules Per Fixture</li> <li>- 34 fV, Color Temp = 3500K Nominal</li> <li>- Constant Current 700 Milliamps Driver</li> <li>- 2517 Board Lumens</li> <li>- 125.9 Board Lumens Per Watt</li> </ul>
	L25.0 - 25.0W LED	<p><b>L25.0</b></p> <p><b>40K</b> - 4000K Color Temp.</p> <ul style="list-style-type: none"> <li>- 3 LED Modules Per Fixture</li> <li>- 34 fV, Color Temp = 3000K Nominal</li> <li>- Constant Current 875 Milliamps Driver</li> <li>- 3089 Board Lumens</li> <li>- 123.6 Board Lumens Per Watt</li> </ul>	<p><b>L25.0</b></p> <p><b>50K</b> - 5000K Color Temp.</p> <ul style="list-style-type: none"> <li>- 3 LED Modules Per Fixture</li> <li>- 34 fV, Color Temp = 3500K Nominal</li> <li>- Constant Current 875 Milliamps Driver</li> <li>- 3146 Board Lumens</li> <li>- 125.9 Board Lumens Per Watt</li> </ul>
	L35.0 - 35.0W LED	<p><b>L35.0</b></p> <p><b>40K</b> - 4000K Color Temp.</p> <ul style="list-style-type: none"> <li>- 3 LED Modules Per Fixture</li> <li>- 34 fV, Color Temp = 3000K Nominal</li> <li>- Constant Current 1150 Milliamps Driver</li> <li>- 4201 Board Lumens</li> <li>- 120.0 Board Lumens Per Watt</li> </ul>	<p><b>L35.0</b></p> <p><b>50K</b> - 5000K Color Temp.</p> <ul style="list-style-type: none"> <li>- 3 LED Modules Per Fixture</li> <li>- 34 fV, Color Temp = 3500K Nominal</li> <li>- Constant Current 1150 Milliamps Driver</li> <li>- 4279 Board Lumens</li> <li>- 122.3 Board Lumens Per Watt</li> </ul>

