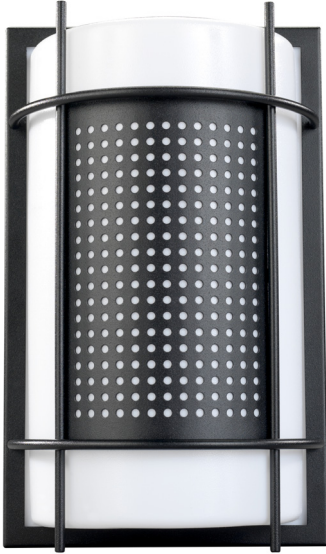


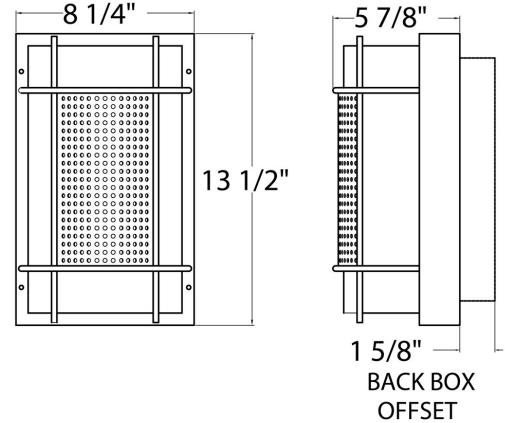
**ROYAL CNC LED**



PROJECT :
TYPE :
ORDERING # :
COMMENTS :

**FEATURES**

- Steel Fascia w/ Textured Black Polyester Powder Coat Finish
- Luminous White 75% DR Acrylic Diffuser
- Steel Mounting Pan w/ Hi-Reflectance White Powder Coat Finish
- Aluminum Reflector
- Mounts Directly to 4" Junction Box (By Others)
- ELV Driver - Over-Voltage, Over-Current, and Short-Circuit Protection w/ Auto Recovery
- Constant Current, Dimmable to 10%  
From 120V to 230V
- Mounting Hardware Included
- CSA Listed Wet Location
- Integral EM Battery Available



**ORDERING INFORMATION**

Example : (RL- CNC - L15.0 - TE600 - 120V - SM - 27K - EB/BB)

Textured Black is Standard Finish

PRODUCT	SOURCE/WATTAGE	VOLTAGE	DIFFUSER	FINISH	OPTIONS
Royal CNC	<p><b>L15.0 - TE600</b> 15W 600mA ELV Low Voltage 2-Wire Dimming Electronic Driver (For L15.0)</p> <p><b>L18.0 - TE700</b> 18W 700mA ELV Low Voltage 2-Wire Dimming Electronic Driver (For L18.0)</p> <p><b>L18.0 - ZE700</b> 18W 700mA Low Voltage Dimming Electronic Driver (For L18.0) (Dimmable 0 - 10V)</p> <p><b>L30.0 - ZE1050</b> 30W 1050mA Low Voltage Dimming Electronic Driver (For L30.0) (Dimmable 0 - 10V)</p>	<p>120V - 120V 277V - 277V</p> <p>(50 / 60Hz)</p>	Not Applicable	<p>SM - Matte Silver TB - Textured Black AC - Antique Copper AS - Antique Silver BT - Bronze Mist CP - Copper SN - Sand SW - Swedish Steel BZ - Textured Bronze TW - Textured White</p> <p><b>RAL Colors or Custom Match - Consult Factory</b></p>	<p>27K - 2700K Color Temp. 30K - 3000K Color Temp. 35K - 3500K Color Temp. 40K - 4000K Color Temp. F - Fused BB - Back Box EB/BB - Bodine BSL26 - Up to 5.1W Emergency Illumination With LEDs - AC Mode 960 Lumens - Battery @ 1 second = 322 Total Lumens - Battery @ 90 Minutes = 291 Total Lumens</p> <p><b>(Please Specify Voltage)</b> (Back Box Required)</p>

**REPLACEMENT PARTS PART NO.**

White 75% DR Acrylic Lens	3051060
---------------------------	---------

**NOTES**

We reserve the right to revise the design or components of any product due to parts availability or change in UL standards, without assuming any obligation or liability to modify any products previously manufactured, and without notice.

ARRA 2009



BUY AMERICA ACT



PROJECT :
TYPE :
ORDERING # :
COMMENTS :

PRODUCT	SOURCE/WATTAGE	27K SPECIFICATIONS	30K SPECIFICATIONS
Royal CNC LED	L15.0 - 15.0W LED	<p><b>L15.0</b></p> <p>27K - 2700K Color Temp.</p> <p>- 34 fV, Color Temp = 2700K Nominal            - Constant Current 600 Milliamps Driver            - 1904.6 Board Lumens            - 127 Board Lumens Per Watt</p>	<p><b>L15.0</b></p> <p>30K - 3000K Color Temp.</p> <p>- 34 fV, Color Temp = 3000K Nominal            - Constant Current 600 Milliamps Driver            - 2048 Board Lumens            - 136.5 Board Lumens Per Watt</p>
	L18.0 - 18.0W LED	<p><b>L18.0</b></p> <p>27K - 2700K Color Temp.</p> <p>- 34 fV, Color Temp = 2700K Nominal            - Constant Current 700 Milliamps Driver            - 2222.7 Board Lumens            - 123.5 Board Lumens Per Watt</p>	<p><b>L18.0</b></p> <p>30K - 3000K Color Temp.</p> <p>- 34 fV, Color Temp = 3000K Nominal            - Constant Current 700 Milliamps Driver            - 2390 Board Lumens            - 132.8 Board Lumens Per Watt</p>
	L30.0 - 30.0W LED	<p><b>L30.0</b></p> <p>27K - 2700K Color Temp.</p> <p>- 34 fV, Color Temp = 2700K Nominal            - Constant Current 1150 Milliamps Driver            - 3334 Board Lumens            - 111.1 Board Lumens Per Watt</p>	<p><b>L30.0</b></p> <p>30K - 3000K Color Temp.</p> <p>- 34 fV, Color Temp = 3000K Nominal            - Constant Current 1150 Milliamps Driver            - 3585 Board Lumens            - 119.5 Board Lumens Per Watt</p>

PRODUCT	SOURCE/WATTAGE	35K SPECIFICATIONS	40K SPECIFICATIONS
Royal CNC LED	L15.0 - 15.0W LED	<p><b>L15.0</b></p> <p>35K - 3500K Color Temp.</p> <p>- 34 fV, Color Temp = 3500K Nominal            - Constant Current 600 Milliamps Driver            - 2154.5 Board Lumens            - 143.6 Board Lumens Per Watt</p>	<p><b>L15.0</b></p> <p>40K - 4000K Color Temp.</p> <p>- 34 fV, Color Temp = 4000K Nominal            - Constant Current 600 Milliamps Driver            - 2211.8 Board Lumens            - 147.5 Board Lumens Per Watt</p>
	L18.0 - 18.0W LED	<p><b>L18.0</b></p> <p>35K - 3500K Color Temp.</p> <p>- 34 fV, Color Temp = 3500K Nominal            - Constant Current 700 Milliamps Driver            - 2514 Board Lumens            - 139.7 Board Lumens Per Watt</p>	<p><b>L18.0</b></p> <p>40K - 4000K Color Temp.</p> <p>- 34 fV, Color Temp = 4000K Nominal            - Constant Current 700 Milliamps Driver            - 2581.2 Board Lumens            - 143.4 Board Lumens Per Watt</p>
	L30.0 - 30.0W LED	<p><b>L30.0</b></p> <p>35K - 3500K Color Temp.</p> <p>- 34 fV, Color Temp = 3500K Nominal            - Constant Current 1150 Milliamps Driver            - 3771.4 Board Lumens            - 125.7 Board Lumens Per Watt</p>	<p><b>L30.0</b></p> <p>40K - 4000K Color Temp.</p> <p>- 34 fV, Color Temp = 4000K Nominal            - Constant Current 1150 Milliamps Driver            - 3871.8 Board Lumens            - 129.1 Board Lumens Per Watt</p>

ARRA 2009



BUY AMERICA ACT

