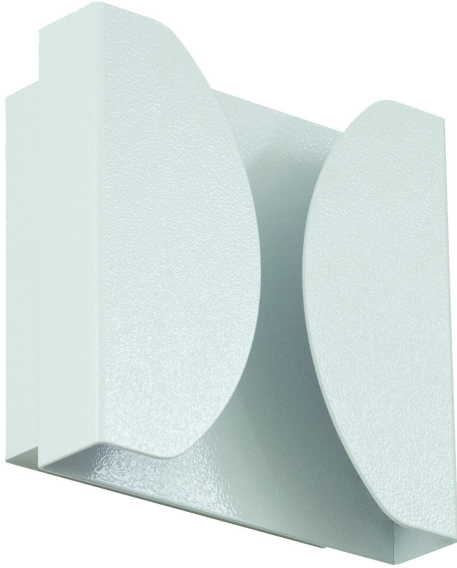


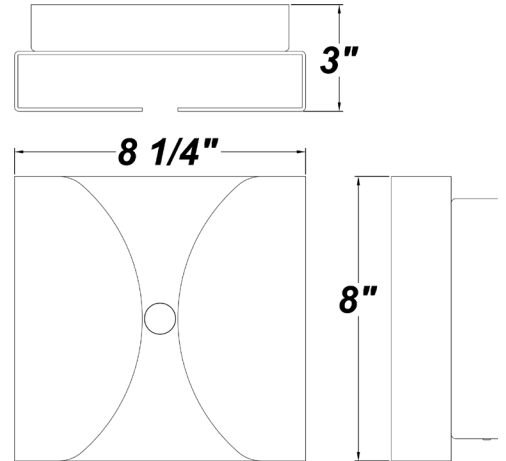
**CONCERTO LED**



PROJECT :
TYPE :
ORDERING # :
COMMENTS :

**FEATURES**

- Aluminum Fixture w/ Textured White Powder Coat Finish
- Aluminum Mounting Plate Mounts to Wall Surface (Centered Over And Attached to J-Box)
- Indirect Lighting Source
- Surge Protector
- CSA Listed Dry Location For Wall Mount
- ADA Compliant



Please Note: Darker Finishes May Reduce The LED Output. Textured White And Matte Silver Are Recommended for Maximum Light Output.

**ORDERING INFORMATION**

Example : (CTO - L8.2 - 120-277V - TW - 40K)

Textured White is Standard Finish

PRODUCT	SOURCE/WATTAGE	VOLTAGE	DIFFUSER	FINISH	OPTIONS
Concerto LED	L8.2 - (2) 4.1W Modules	120V - 277V (50 / 60 Hz)	Not Applicable	TW - Textured White (Standard) SM - Matte Silver TB - Textured Black AC - Antique Copper AS - Antique Silver BT - Bronze Mist KC - Kenworth Chrome SN - Sand SW - Swedish Steel BZ - Textured Bronze  RAL Colors or Custom Match - Consult Factory	30K - 3000K Color Temp. 35K - 3500K Color Temp. 40K - 4000K Color Temp.

PRODUCT	SOURCE/WATTAGE	30K SPECIFICATIONS	35K SPECIFICATIONS	40K SPECIFICATIONS
Concerto LED	L8.2 - 4.1W Per LED Strip (2) 4.1W (9) LEDS / Modules	<b>L8.2</b> 30K - 3000K Color Temp. - 27 fV, Color Temp. = 3000K Nominal - Constant Voltage 350 mA Driver - 11W Input = 57 Lumens Estimated 5.18 Lumens Per Watt	<b>L8.2</b> 35K - 3500K Color Temp. - 27 fV, Color Temp. = 3500K Nominal - Constant Voltage 350 mA Driver - 11W Input = 58.2 Lumens Estimated 5.29 Lumens Per Watt	<b>L8.2</b> 40K - 4000K Color Temp. - 27 fV, Color Temp. = 4000K Nominal - Constant Voltage 350 mA Driver - 11W Input = 60 Lumens Estimated 5.5 Lumens Per Watt

ARRA 2009



BUY AMERICA ACT

**NOTES**

We reserve the right to revise the design or components of any product due to parts availability or change in UL standards, without assuming any obligation or liability to modify any products previously manufactured, and without notice.