

PROJECT :
TYPE :
ORDERING # :
COMMENTS :

**NIKE P 18 INCH CUSTOM LED**

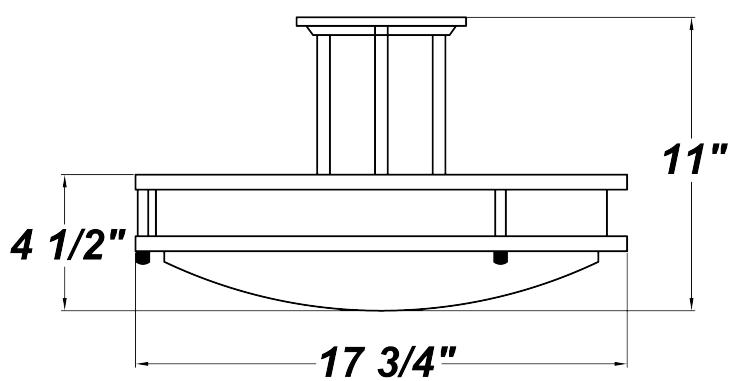
**FEATURES**



- Die-Form Cold-Rolled Steel Housing w/ Brushed Nickel Plated Finish
- Steel Trim w/ Brushed Nickel Plated Finish
- Steel Canopy & Stems w/ Brushed Nickel Plated Finish
- Steel Mounting Pan w/ Hi-Reflectance White Powder Coat Finish
- Luminous White Acrylic Diffuser
- Mounts Directly to 4" Junction Box (By Others)
- Mounting Hardware Included
- Lamps Included
- Dry Location

**DIMMING FEATURES**

- Dimmable to <5%
- Dimmable With Either Triac or Electronic Dimmers
- Over-Current, Over-Voltage, and Short Circuit Protection
- Constant Current at 350 Milliamps
- UL Class 2 Driver - Power Factor >.90
- Estimated 50,000 Hours Life (L70)



**ORDERING INFORMATION**

Example : (NEP18 - L25.0 - 120V - BN - 30K) **Brushed Nickel is Standard Finish**

PRODUCT	SOURCE/WATTAGE	VOLTAGE	DIFFUSER	FINISH	OPTIONS
Nike P 17 3/4" Housing	L25.0 - 25.0W (72) LED Array	120V - 120V 277V - 277V  (50 / 60Hz)	White Acrylic Diffuser	BN - Brushed Nickel RAL Colors or Custom Match - Consult Factory	30K - 25.0W Has 1480 Fixture Lumens 35K - 25.0W Has 1526 Fixture Lumens 40K - 25.0W Has 1538 Fixture Lumens



REPLACEMENT PARTS	PART NO.
18" White Acrylic Diffuser	3049760

**NOTES**  
We reserve the right to revise the design or components of any product due to parts availability or change in UL standards, without assuming any obligation or liability to modify any products previously manufactured, and without notice.



PROJECT :
TYPE :
ORDERING # :
COMMENTS :

PRODUCT	SOURCE/WATTAGE	30K SPECIFICATIONS	35K SPECIFICATIONS	40K SPECIFICATIONS
Nike P 17 3/4" Housing	NEP18-L25.0 - 25.0W (72) LED Array  50,000 Hours(L70)	<b>25.0W LED ARRAY</b> <b>30K - 3000K Color Temp.</b>  - 80 CRI Typ. - 2165 LED Lumens (1480 Fixture Lumens) - Estimated 59 Lumens Per Watt	<b>25.0W LED ARRAY</b> <b>35K - 3500K Color Temp.</b>  - 80 CRI Typ. - 2233 LED Lumens (1526 Fixture Lumens) - Estimated 61 Lumens Per Watt	<b>25.0W LED ARRAY</b> <b>40K - 4000K Color Temp.</b>  - 80 CRI Typ. - 2250 LED Lumens (1538 Fixture Lumens) - Estimated 62 Lumens Per Watt

ARRA 2009



BUY AMERICA ACT