

NIKE P 14 INCH LED



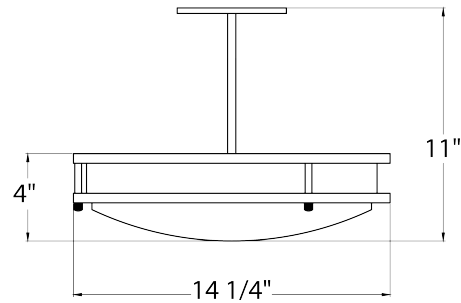
PROJECT :
TYPE :
ORDERING # :
COMMENTS :

FEATURES

- Die-Form Cold-Rolled Steel Housing w/ Brushed Nickel Plated Finish
- Steel Trim w/ Brushed Nickel Plated Finish
- Steel Canopy & Stems w/ Brushed Nickel Plated Finish
- Steel Mounting Pan w/ Hi-Reflectance White Powder Coat Finish
- Luminous White Acrylic Diffuser
- Mounts Directly to 4" Junction Box (By Others)
- Mounting Hardware Included
- Lamps Included
- Dry Location

DIMMING FEATURES

- Dimmable to <5%
- Dimmable With Either Triac or Electronic Dimmers
- Over-Current, Over-Voltage, and Short Circuit Protection
- Constant Current at 350 Milliamps
- UL Class 2 Driver - Power Factor >.90
- Estimated 50,000 Hours Life (L70)



ORDERING INFORMATION

Example : (NEP14 - L25.0 - 120V - BN - 30K) Brushed Nickel is Standard Finish

PRODUCT	SOURCE/WATTAGE	VOLTAGE	DIFFUSER	FINISH	OPTIONS
Nike P 14 1/4" Housing	NEP14-L12.5 - 12.5W (36) LED Array NEP14-L25.0 - 25.0W (72) LED Array	120V - 120V 277V - 277V (50 / 60Hz)	White Acrylic Diffuser	BN - Brushed Nickel SM - Matte Silver TB - Textured Black AC - Antique Copper AS - Antique Silver BT - Bronze Mist CP - Copper KC - Kenworth Chrome SN - Sand SW - Swedish Steel BZ - Textured Bronze TW - Textured White RAL Colors or Custom Match - Consult Factory	30K - 12.5W Has 749 Fixture Lumens 35K - 12.5W Has 772 Fixture Lumens 40K - 12.5W Has 778 Fixture Lumens 30K - 25.0W Has 1480 Fixture Lumens 35K - 25.0W Has 1526 Fixture Lumens 40K - 25.0W Has 1538 Fixture Lumens See Page 2 For Wattage Specifications



REPLACEMENT PARTS	PART NO.
14" White Acrylic Diffuser	3049660

NOTES
We reserve the right to revise the design or components of any product due to parts availability or change in UL standards, without assuming any obligation or liability to modify any products previously manufactured, and without notice.



PROJECT :
TYPE :
ORDERING # :
COMMENTS :

Please Note: All Lumen Information is For Estimation / Specification Purposes Only.
Once Proper Certifications Are Received, The Data Will be Updated Accordingly.

PRODUCT	SOURCE/WATTAGE	30K SPECIFICATIONS	35K SPECIFICATIONS	40K SPECIFICATIONS
Nike P 14 1/4" Housing	L12.5 - (36) LED Array - Constant Current @350mA - 12.5 Input Watts 50,000 Hours(L70)	12.5W LED ARRAY 30K - 3000K Color Temp. - 80 CRI Typ. - 1090 LED Lumens (749 Fixture Lumens) - Estimated 60 Lumens Per Watt	12.5W LED ARRAY 35K - 3500K Color Temp. - 80 CRI Typ. - 1124 LED Lumens (772 Fixture Lumens) - Estimated 62 Lumens Per Watt	12.5W LED ARRAY 40K - 4000K Color Temp. - 80 CRI Typ. - 1133 LED Lumens (778 Fixture Lumens) - Estimated 62 Lumens Per Watt
	L25.0 - (72) LED Array - Constant Current @350mA - 25.0 Input Watts 50,000 Hours(L70)	25.0W LED ARRAY 30K - 3000K Color Temp. - 80 CRI Typ. - 2165 LED Lumens (1480 Fixture Lumens) - Estimated 59 Lumens Per Watt	25.0W LED ARRAY 35K - 3500K Color Temp. - 80 CRI Typ. - 2233 LED Lumens (1526 Fixture Lumens) - Estimated 61 Lumens Per Watt	25.0W LED ARRAY 40K - 4000K Color Temp. - 80 CRI Typ. - 2250 LED Lumens (1538 Fixture Lumens) - Estimated 62 Lumens Per Watt

ARRA 2009



BUY AMERICA ACT