

PROJECT :
TYPE :
ORDERING # :
COMMENTS :

**PRECEPT LED**



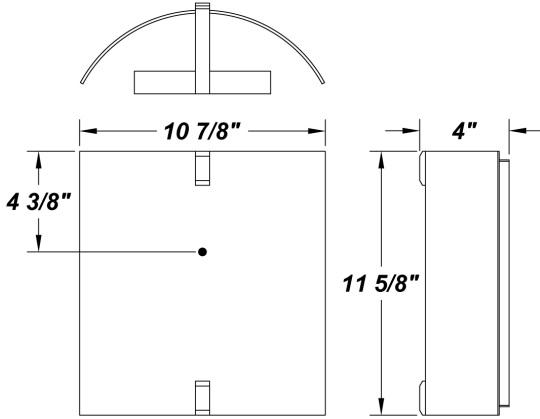
**FEATURES**

- Aluminum Mounting Pan w/ Hi-Reflectance White Powder Coat Finish
- Luminous White Acrylic Lens
- Steel Trim Accents w/ Matte Silver Powder Trim Finish
- Mounts Directly to Flat Surface w/ 2 Wall Anchors (Not Included)
- CSA Listed Dry Location For Wall Mounting
- Awaiting IES Files, DLC, Lighting Facts, And Title 24 Labeling / Certification
- ADA Compliant

**DIMMING FEATURES**

- Dimmable to <5%
- Dimmable With Either Triac or ELV Dimmers
- Over-Current, Over-Voltage, and Short Circuit Protection
- Constant Current at 350 Milliamps
- UL Class 2 Driver - Power Factor >.90
- Estimated 50,000 Hours Life (L70)
- 120V Drivers Are Dimmable
- 277V Drivers Are Not Dimmable

TOP/BOTTOM VIEW



**ORDERING INFORMATION**

Example : (PP L25.0 - 120V - WAL - TB - 30K) Matte Silver is Standard Finish

PRODUCT	SOURCE/WATTAGE	VOLTAGE	DIFFUSER	FINISH	OPTIONS
Precept	L12.5 - (1) 12.5W (40) LED Module L25.0 - (2) 12.5W (40) LED Modules	120V - 120V 277V - 277V  (50 / 60Hz)  Dimming @ 120V Only	WAL - White Acrylic	SM - Matte Silver TB - Textured Black AC - Antique Copper AS - Antique Silver BT - Bronze Mist CP - Copper KC - Kenworth Chrome SN - Sand SW - Swedish Steel BZ - Textured Bronze TW - Textured White  RAL Colors or Custom Match - Consult Factory	<p><b>One 12.5W Module Lumen Output</b></p> <p>30K - 3000K Color Temperature (1195 Total Module Lumens = 95.6 Lumens Per Watt)</p> <p>35K - 3500K Color Temperature (1231 Total Module Lumens = 98.5 Lumens Per Watt)</p> <p>40K - 4000K Color Temperature (1255 Total Module Lumens = 100.4 Lumens Per Watt)</p> <p><b>Two 12.5W Modules Lumen Output</b></p> <p>30K - 3000K Color Temperature (2390 Total Module Lumens = 95.6 Lumens Per Watt)</p> <p>35K - 3500K Color Temperature (2462 Total Module Lumens = 98.5 Lumens Per Watt)</p> <p>40K - 4000K Color Temperature (2510 Total Module Lumens = 100.4 Lumens Per Watt)</p> <p>F - Fused</p>

REPLACEMENT PARTS	PART NO.
White Acrylic Lens	3015360

**NOTES**

We reserve the right to revise the design or components of any product due to parts availability or change in UL standards, without assuming any obligation or liability to modify any products previously manufactured, and without notice.

