

OPEN LED



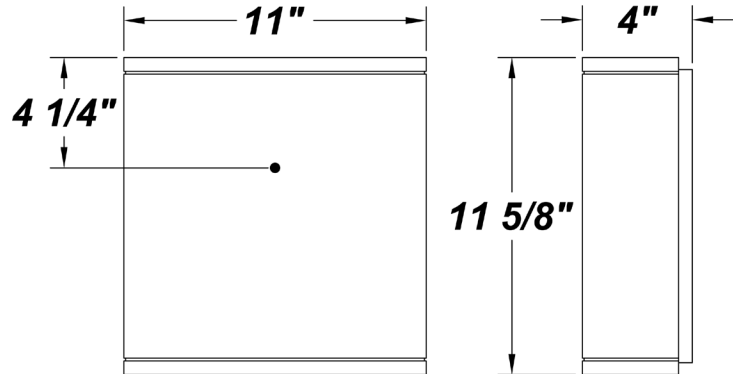
PROJECT :
TYPE :
ORDERING # :
COMMENTS :

FEATURES

- Aluminum Mounting Pan w/ Hi-Reflectance White Powder Coat Finish
- White Alabaster Resin Diffuser w/ Solid Acrylic Top and Bottom Ends
- Mounts Directly to 4" Junction Box (By Others)
- Mounting Hardware Included
- ADA Compliant
- CSA Listed Dry Location For Wall Mounting
- Awaiting IES Files, DLC, Lighting Facts, And Title 24 Labeling / Certification

DIMMING FEATURES

- Dimmable to <5%
- Dimmable With Either Triac or Electronic Dimmers
- Over-Current, Over-Voltage, and Short Circuit Protection
- Constant Current at 350 Milliamps
- UL Class 2 Driver - Power Factor >.90
- Estimated 50,000 Hours Life (L70)



ORDERING INFORMATION

Example : (ON - L25.0 - 120V - AB - 40K)

White Alabaster is Standard Finish

PRODUCT	SOURCE/WATTAGE	VOLTAGE	DIFFUSER	FINISH	OPTIONS
ON					
Open	L25.0 - (2) 12.5W (40) LED Modules	120V - 120V 277V - 277V (50 / 60Hz)	AB - White Alabaster (Standard) WH - White (Please Contact Factory For White Lens Availability)	Not Applicable	30K - 3000K Color Temp. Has 1500 Fixture Lumens 25W Input = 60 Fixture Lumens Per Watt 35K - 3500K Color Temp. Has 1545 Fixture Lumens 25W Input = 61.8 Fixture Lumens Per Watt 40K - 4000K Color Temp. Has 1575 Fixture Lumens 25W Input = 63 Fixture Lumens Per Watt F - Fused

REPLACEMENT PARTS

PART NO.

White Alabaster Resin Diffuser	3003550
White Resin Diffuser	3003560
(Please Contact Factory For White Lens Availability)	

NOTES

We reserve the right to revise the design or components of any product due to parts availability or change in UL standards, without assuming any obligation or liability to modify any products previously manufactured, and without notice.

ARRA 2009



BUY AMERICA ACT Compliant C US