

**OMEGA S LED**



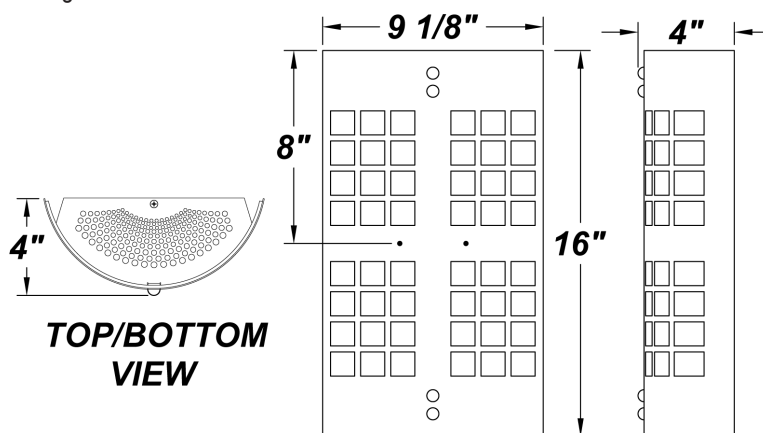
PROJECT :
TYPE :
ORDERING # :
COMMENTS :

**FEATURES**

- Brushed Aluminum Fascia w/ Clear Coat Powder Coat Finish
- Luminous White Acrylic Diffuser
- Steel Mounting Pan w/Hi-Reflectance White Powder Coat Finish
- Mounts Directly to 4" Junction Box (By Others)
- Mounting Hardware Included
- ADA Compliant
- CSA Listed Dry Location For Wall Mounting
- Awaiting IES Files, DLC, Lighting Facts, And Title 24 Labeling / Certification

**DIMMING FEATURES**

- Dimmable to <5%
- Dimmable With Either Triac or Electronic Dimmers
- Over-Current, Over-Voltage, and Short Circuit Protection
- Constant Current at 350 Milliamps
- UL Class 2 Driver - Power Factor >.90
- Estimated 50,000 Hours Life (L70)



**ORDERING INFORMATION**

Example : (OMGS - L25.0 - 277V - WAL - CP - 35K)

Brushed Aluminum is Standard Finish

PRODUCT	SOURCE/WATTAGE	VOLTAGE	DIFFUSER	FINISH	OPTIONS
Omega S	L25.0 - (2) 12.5W (40) LED Modules	120V - 120V 277V - 277V  (50 / 60Hz)	WAL - White Acrylic	<b>SM</b> - Matte Silver <b>TB</b> - Textured Black <b>AC</b> - Antique Copper <b>AS</b> - Antique Silver <b>BT</b> - Bronze Mist <b>CP</b> - Copper <b>KC</b> - Kenworth Chrome <b>SN</b> - Sand <b>SW</b> - Swedish Steel <b>BZ</b> - Textured Bronze <b>TW</b> - Textured White  <b>RAL Colors or Custom Match - Consult Factory</b>	<b>30K</b> - 3000K Color Temperature <b>35K</b> - 3500K Color Temperature <b>40K</b> - 4000K Color Temperature <b>F</b> - Fused

**REPLACEMENT PARTS**      **PART NO.**

White Acrylic Lens      3097660

**NOTES**

We reserve the right to revise the design or components of any product due to parts availability or change in UL standards, without assuming any obligation or liability to modify any products previously manufactured, and without notice.

ARRA 2009



BUY AMERICA ACT

